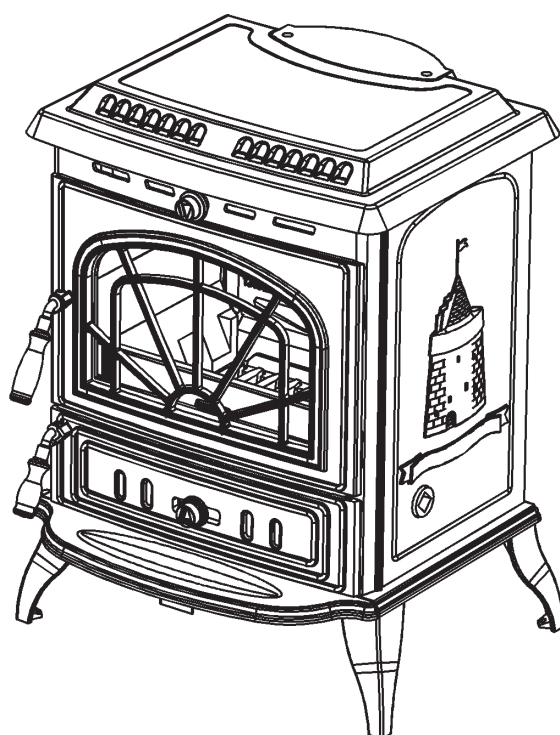


PLEASE RETAIN



Erin Non Boiler Solid Fuel Stove



INSTALLATION AND OPERATING INSTRUCTIONS

This appliance is hot while in operation and retains its heat for a long period of time after use. Children, aged or infirm persons should be supervised at all times and should not be allowed to touch the hot working surfaces while in use or until the appliance has thoroughly cooled.

When using the stove in situations where children, aged and/or infirm persons are present a fireguard must be used to prevent accidental contact with the stove. The fireguard should be manufactured in accordance with BS 8423:2010.

TABLE OF CONTENTS

	PAGE NO.
1. Stanley Solid Fuel Stove Warranty	3
2. Installation Checklist	4
3. Important Operation/ Maintenance Notes	5
4. Installation & Operating Instructions	6
5. General	6
6. Pre Installation Assembly	6
7. Pre Installation Assembly	7
8. Flues	8
9. Flue Pipes	8
10. Chimney	8
11. Chimney	9
12. Flue Exit - Top and Rear	10
13. Down Draughts	11
14. Ventilation & Combustion Air Requirements	11
15. Location	12
16. Clearance to Combustibles	12
17. Floor Protection	12
18. Stove Dimensions	13
19. Commissioning & Handover	13
20. Operation	13
21. Air Controls	13
22. Recommended Fuels	14
23. Technical Data	15
24. Lighting	15
25. User Instructions	15
26. De-Ashing/ Refuelling	16
27. Slow Burning	16
28. Disposal of Ashes	16
29. Monthly Maintenance	16
33. Periodic Maintenance	16
30. Door Latch Adjustment	16
31. Chimney Cleaning	17
31. Glass Cleaning	17
31. Vitreous Enamel Cleaning	17
31. Cleaning a Matt Black/ Senotherm Stove	17
31. Changing Rope Seals	17
34. Prolonged Periods of Non Use	17
35. Fire Safety	18
36. Glass Replacement	18
36. Replace Damaged Bricks	18
37. CO Alarm	19
38. Exploded View	20



STANLEY SOLID FUEL STOVE WARRANTY

CONDITIONS OF WARRANTY

Your Stanley Solid Fuel Stove is guaranteed against any part that fails (under normal operating conditions) as detailed in the following table with timelines specified from the date of installation of the appliance. If the unit is not installed within six months of date of purchase, the warranty will commence six months from the date of purchase.

Warranty Period	Parts Covered (Parts & Labour unless Stated)
Up to 1 Year	<ul style="list-style-type: none"> • Refractory materials (supply only) • Rope seals, glass seals and cement seals. • Surface Finish on Seno models. • Grates and fire bars. • Ceramic glass is covered for Thermal breakage (supply only). • Rust (if reported before installation) • Aesthetic Damage (provided reported on date of receipt)
Up to 5 Years	<ul style="list-style-type: none"> • All external castings & enamel finishes (excluding impact damage or damage caused by overfiring). Pictures of damage must be submitted to WS Service Department.
Up to 3 Years	<ul style="list-style-type: none"> • Boiler - A Leaking Boiler Report must be conducted by an Authorised Stanley Service Engineer and submitted to WS Service Department for review.

All warranty claims must be reported to the Waterford Stanley Service Department and must be submitted with the product serial number (located on the front casting), date of purchase, proof of purchase (if requested) and details of the specific nature of the problem.

The warranty is given only to the original consumer/purchaser only and is non-transferable. The appliance must be installed by a suitable qualified person and installed as per the requirements of the manual. Failure to comply with the Installation requirements or Building Regulations will void your warranty. Waterford Stanley reserve the right to replace any part due to manufacturing defect that fails within the warranty period under the terms of the warranty. The unit must be used for normal domestic purposes only and in accordance with manufacturer's operation instructions.

LIMITS OF LIABILITY

The warranty does not cover:

- * Special, incidental or consequential damages, injury to persons or Property, or any other consequential loss.
- * Any issue caused by negligence, misuse, abuse or circumstances beyond Waterford Stanley's control.
- * Any issue with wear and tear, modification, alteration, or servicing by anyone other than an authorized service engineer.
- * Installation and operational related problems such as draught related issues external to the stove, inadequate venting or ventilation, excessive flue offsets, negative air pressure caused by insufficient burning of improper fuel.
- * Damage caused to the unit while in transit.
- * Enamel discolouration due to over firing, enamel damage caused by impact, damage to baffles caused by over firing and fading of surface finish on casting.
- * Stress fractures on bricks.
- * Rust on cast iron parts unless reported prior to unit being installed.
- * Aesthetic damage, rust & missing parts on units purchased off display.

Note: Adequate clearance must be maintained around the appliance to ensure the ease of part removal in the possible event of their damage/failure. Waterford Stanley are not responsible for any costs incurred in the removal of items installed in the vicinity of the appliance that have to be moved to facilitate a part replacement.

INSTALLATION CHECK LIST

Tick

Flue System

1. Minimum Flue Height of 4.6 metres (15 feet).
2. Appliance should be connected to a minimum of 1.8 metres (6 feet) of 150mm (6") flue pipe.
3. The horizontal flue run should not exceed 150mm (6")
4. All flue pipework passing through walls must be sleeved & adequately insulated in line with current Building Regulations.
5. Appliance should be connected to a chimney of less than 200mm (8") in diameter (otherwise the chimney must be lined with a 6" flue liner).
6. The chimney/ flue termination must be located in accordance with building regulations part J.
7. The chimney serving this appliance should not serve any other appliance.
8. Access should be provided to the chimney serving the appliance to allow for cleaning.
9. It is a requirement by Building Regulations to have a carbon monoxide alarm fitted to any room with a solid fuel appliance.

Location

10. Clearance to combustible materials must be adhered to as described in the Clearance to Combustible section.
11. The stove must be installed on a floor protector that covers the area under the stove and extends 18" to the front & 5" to the sides and back.
12. Clearance must be maintained to allow for maintenance and part replacement.

Ventilation & Combustion Air Requirements

13. The room in which the appliance is located should have an air vent of adequate size to support correct combustion (see Ventilation & Combustion Air Requirement Section for specific details).
14. The stove must not be installed in the same room as an extractor fan.



IMPORTANT OPERATION / MAINTENANCE NOTES

Now that your Stanley Solid Fuel Stove is installed and no doubt you are looking forward to many comforts it will provide, we would like to give you some tips on how to get the best results from your stove.

1. We would like if you could take some time to read the operating instructions/hints, which we are confident, will be of great benefit to you.
2. Do not burn fuel with a high moisture content, such as a damp peat or unseasoned timber. This will only result in a build up of tar in the stove and in the chimney.

FUEL CALORIFIC VALUES - SOLID FUELS		
Anthracite 25-50mm	C.V.: 8.2kW/Kg	14,000 BTUs/lb
House Coal 25-75mm	C.V.: 7.2kW/Kg	12,000 BTUs/lb
Timber - Firebox size	C.V.: 5.0kW/Kg	8,600 BTUs/lb
Peat Briquettes	C.V.: 4.8kW/Kg	8,300 BTUs/lb

3. **IMPORTANT:** The first few fires should be relatively small to permit the refractory to set properly and season the stove. During these firings it is recommended to ventilate the room as an unpleasant (not toxic) odour may be emitted as the paint is completing curement.
4. **Inspect the flue-ways of the stove weekly and ensure that there are no blockages. Check flue ways before lighting especially after a shut down period. Please see chimney cleaning section.**
5. Before loading fresh fuel into the firebox, riddle fully to remove all ashes. This will allow better and cleaner burning. See Re-Fuelling section.
6. Never allow a build up of ashes in the ash pan, as this will cause the grate to burn out prematurely. Empty the ashpan when refuelling.
7. Avoid slow burning of damp or unseasoned fuel as this will result in tarring flue ways and chimney i.e. peat or timber.
8. Allow adequate air ventilation to ensure plenty of air for combustion.
9. Do not burn rubbish/household plastic.
10. Do not operate the stove with the ash-door open as this will over heat the unit causing unnecessary damage.
11. Clean the chimney at least twice a year.
12. Burning soft fuels such as timber and peat will stain the glass. Regular cleaning will prevent permanent staining. Clean with soapy water when cool.
13. Keep all combustible materials a safe distance away from unit, please see section for clearances to combustibles.
14. Never use aerosol spray near the appliance when it is in operation.
15. For safety reasons never leave children or the elderly unaccompanied while stove is in use. Use a fire guard.
16. Avoid contact with the appliance when in use as stove reaches very high operating temperatures.
17. This appliance should be regularly maintained by a competent service engineer.

ERIN SOLID FUEL NON BOILER STOVE INSTALLATION & OPERATING INSTRUCTIONS

GENERAL

When installing, operating and maintaining your Erin Stove respect basic standards of fire safety. Read these instructions carefully before commencing the installation. Failure to do so may result in damage to persons and property. Consult your local Municipal office and your insurance representative to determine what regulations are in force. Save these instructions for future reference.

Please note that it is a legal requirement under England & Wales Building Regulations that the installation of the stove is either carried out under Local Authority Building Control approval or is installed by a Competent Person registered with a Government approved Competent Persons Scheme. HETAS Ltd operate such a scheme and a listing of their Registered Competent Persons can be found on their website at www.hetas.co.uk.

Special care must be taken when installing the stove such that the requirements of the Health & Safety at Work Act are met.

Handling

Adequate facilities must be available for loading, unloading and site handling.

Fire Cement

Some types of fire cement are caustic and should not be allowed to come into contact with the skin. In case of contact with the skin wash immediately with plenty of water.

Asbestos

This stove contains no asbestos. If there is a possibility of disturbing any asbestos in the course of installation then please seek specialist guidance and use appropriate protective equipment.

Metal Parts

When installing or servicing this stove care should be taken to avoid the possibility of personal injury.

“IMPORTANT WARNING”

This stove must not be installed into a chimney that serves any other heating appliance.

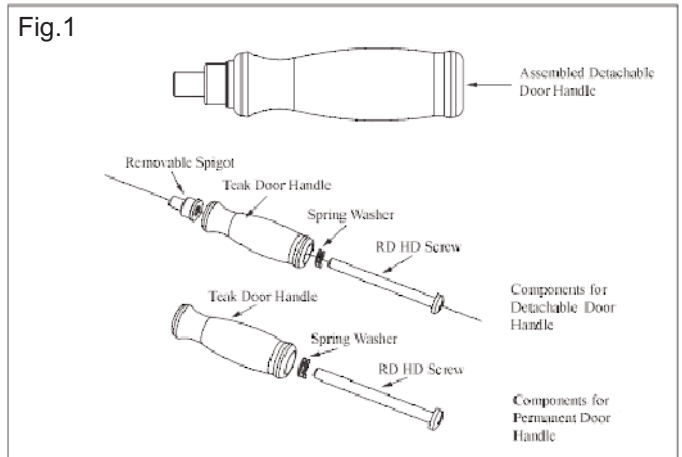
The complete installation must be done in accordance with current Standards and Local Codes. It should be noted that the requirements and these publications may be superseded during the life of this manual.

Please refer to the current standards, BS EN 15287-1:2007 Design, Installation and Commissioning of chimneys. BS EN 14336:2004: Heating Systems in Buildings. Installation & Commissioning of Water Based Heating Systems. BS EN 12828: 2003; Heating Systems in Buildings. Design of Water Based Heating Systems. BS EN 12831: 2003; Heating Systems in Buildings. method for calculation of the design heat load.

PRE INSTALLATION ASSEMBLY

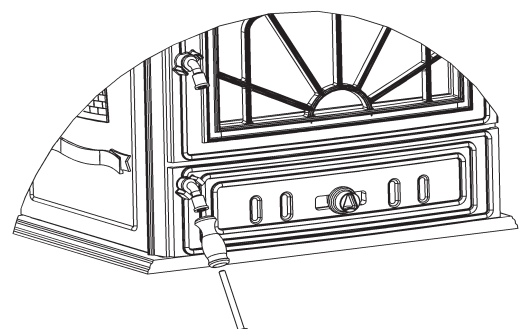
Your Erin stove is supplied with the following items:

- Legs
- Ashtray
- Top Spigot
- Hob Filler Piece
- Ashpan
- Operating Tool
- Tool Holder
- Riddling Tool
- Fire Fence
- Touch-Up Paint (Enamel Only)
- Secondary Air Con. Rod (packed under hob)
- Glove
- Fire Door Handle (Assembled) See fig. 1
- Ashdoor Handle (Assembled) See fig. 1
- Damper Assembly



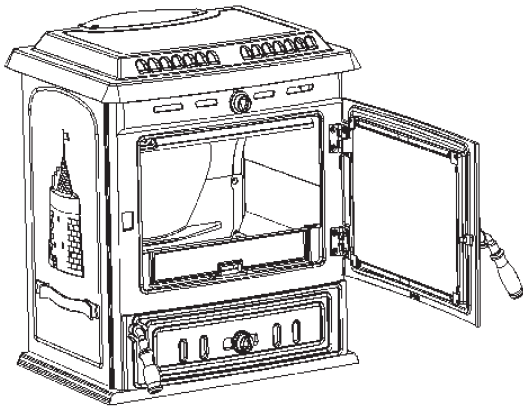
- (A). After removing the stove from its pack, open the ashpit door and remove the contents from the ashpan. Attach the short timber handle to the ashpit door using the M8 x 70mm long round head screw and the spring washer. (See Fig.2).

Fig.2



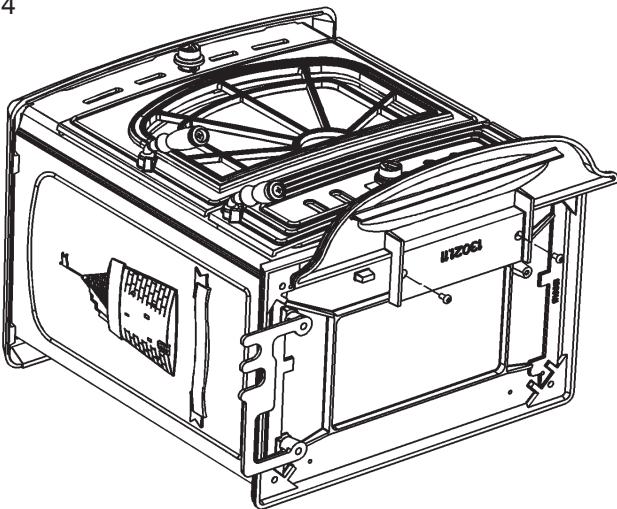
- (B). Open the fire door using the detachable handle and remove the contents from the fire box.

Fig.3



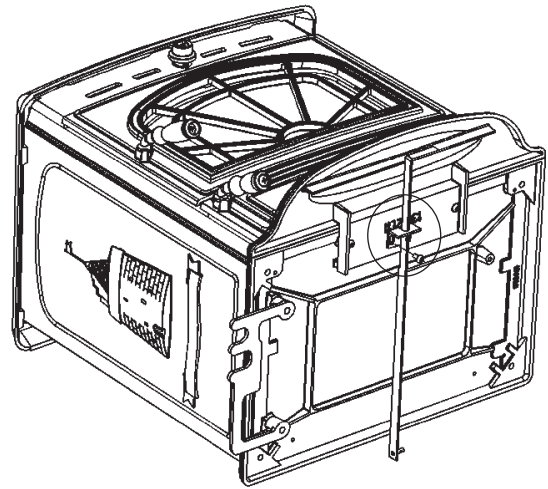
- (C). Remove the hob and place to one side, taking care not to damage the enamel finish.
 (D). Lay the stove on its back taking care not to damage rear of stove.
 (E). Fit the ashtray to the base using the two $\frac{1}{4}$ " x $\frac{1}{2}$ " long round head screws and two of the $\frac{3}{8}$ " washers provided. Fit the tool holder to the base using the two $\frac{1}{4}$ " x $1\frac{1}{2}$ " long countersunk screws, and two of the $\frac{3}{8}$ " washers provided (See Fig.4).

Fig.4



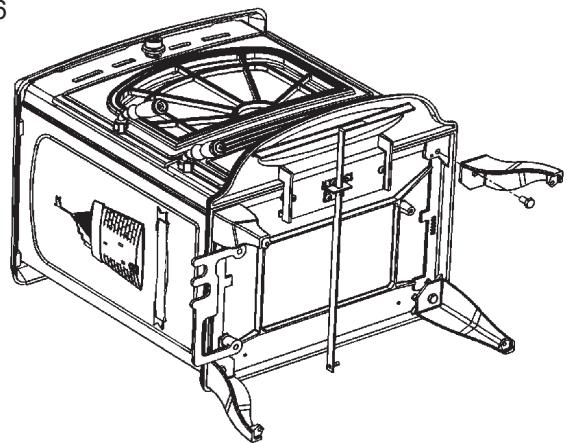
- (F). Fit the secondary air control rod bracket to the ashtray using the two $\frac{1}{4}$ " x $\frac{1}{2}$ " long round head screws and the two lock washers provided. Fit the connecting rod through the control rod bracket with the notches facing downwards and leave it hanging loose until the stove is standing upright. (See Fig.5).

Fig.5



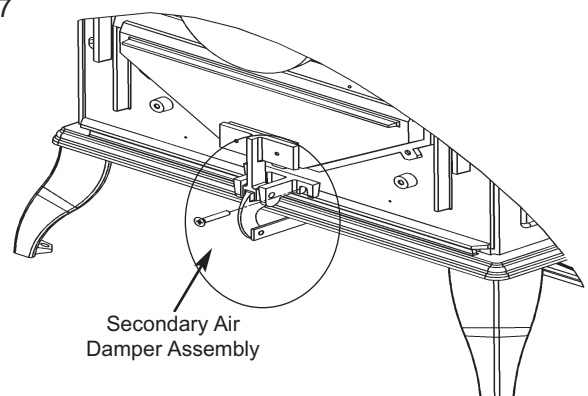
- (G). Remove the four M10 bolts from the base, and fit the four legs using the four M10 x 20mm long bolts and the $\frac{3}{8}$ " washers provided in the jiffy bag. (See Fig.6).

Fig.6



- (H). Stand the stove upright, taking care not to strain the back leg bolts. Attach the secondary air damper assembly to the back panel using the two $\frac{1}{4}$ " x $\frac{3}{4}$ " long round head screws and the two lock washers provided (See Fig.7). Connect the connecting rod to the secondary air damper assembly and fix it into place using the split pin and $\frac{1}{4}$ " washer provided in the jiffy bag. Ensure that the ends of the split pin are bent back with the $\frac{1}{4}$ " washer between the casting and the ends of the split pin.

Fig.7



FLUES

Flues should be vertical wherever possible and where a bend is necessary, it should not make an angle of more than 45° with the vertical. Horizontal flue runs should be avoided except in the case of a back outlet from the appliance, when the length of the horizontal section should not exceed 150mm.

CHIMNEY

Do not connect to a chimney serving another appliance.

The stove is a radiant room heater and must be connected to a chimney of the proper size and type.

The chimney must have a cross-sectional area of at least 30 square inches 19350sq. mm or a diameter of at least 6" (150mm). It is best to connect to a chimney of the same size, as connection to a larger size may result in a somewhat less draught.

A flue that has proved to be unsatisfactory, particularly with regard to down draught should not be used for venting this appliance until it has been examined and any faults corrected. An existing masonry chimney should be inspected and if necessary repaired by a competent mason or relined using an approved lining system.

The stove must be connected to a chimney with a minimum continuous draught of 0.06 w.g. Poor draught conditions will result in poor performance.

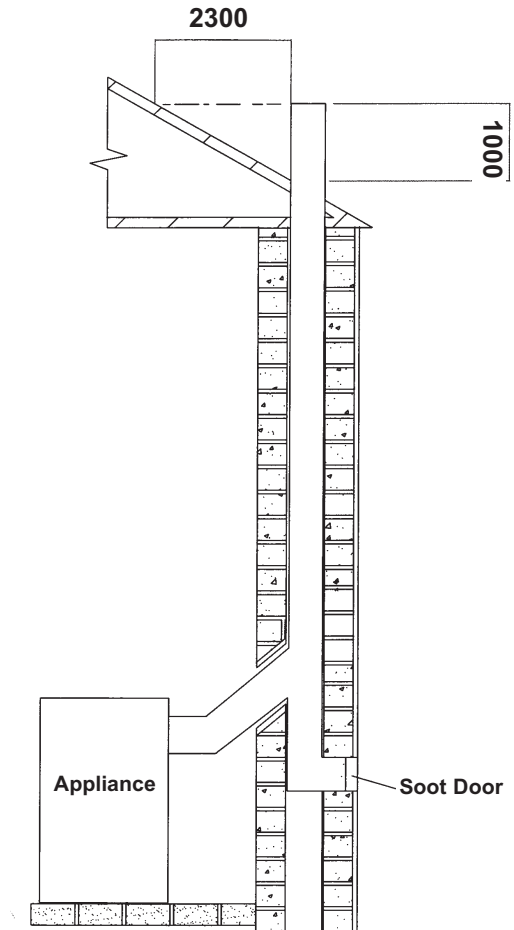
All register plates, restricter plates, damper etc., which could obstruct the flue at a future date should be removed before connecting this appliance.

If connecting to an existing chimney with a flue diameter of more than 8" it is recommended to line the flue using a suitable stainless steel flue liner.

Where a masonry chimney is not available a proprietary type of 6"/150mm - twin wall, fully insulated pipe may be used. The pipe must terminate at a point not lower than the main ridge of adjacent outside obstructions. With such installation, access to the chimney must be provided for cleaning purposes.

A chimney / flue termination must be located to minimise wind effects, a basic guide is that the distance from the termination to the roof should be at least 2300mm when measured horizontally and at least 1000mm when measured vertically, (see Fig.8). In circumstances where there are adjoining buildings/ structures/ roof openings there are additional requirements, please refer to building regulations part J.

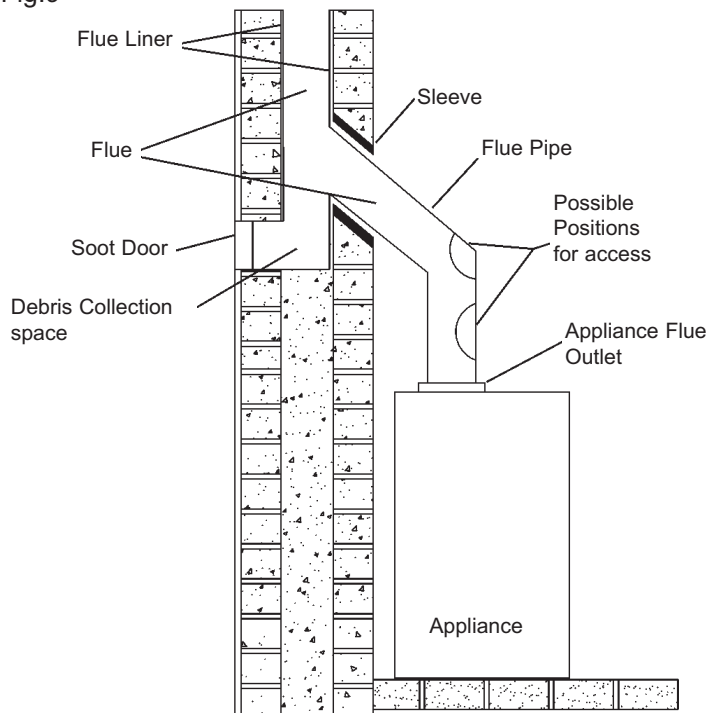
Fig.8



FLUE EXIT (TOP & REAR)

The stove is designed to allow the chimney be cleaned through the stove. If the chimney cannot be cleaned through the stove it is necessary to provide a soot box/access door in the flue for cleaning. See Fig.9 for recommended locations. Fit it to the stove as shown in Fig.9.

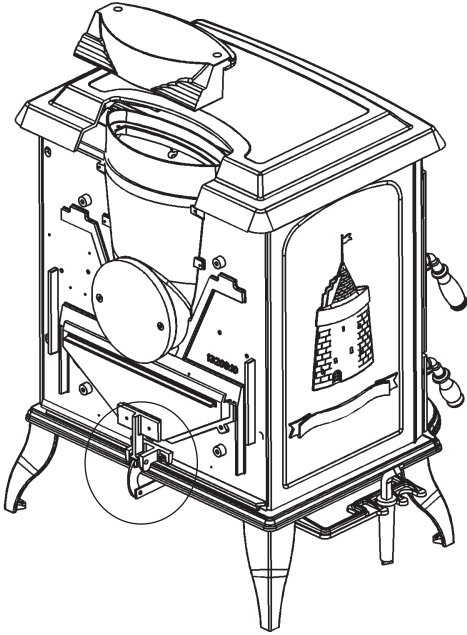
Fig.9



TOP FLUE EXIT

Take the flue spigot and before fitting it to the stove place a small amount of fire cement on the inside flange of the outlet and push the flue spigot into place making sure the spigot is properly sealed to the stove. Remove any excess cement from the inside of the flue spigot to prevent obstruction of the flue way.

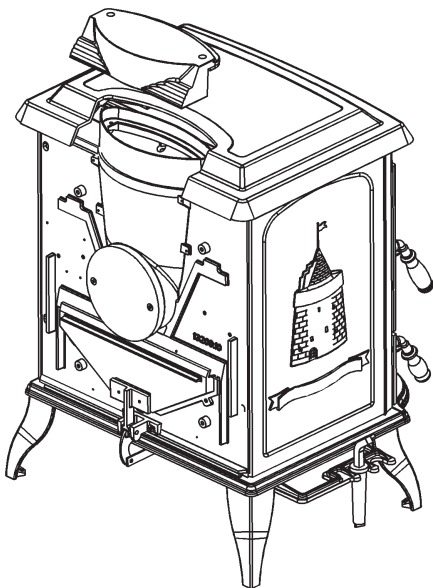
Fig.10



REAR FLUE EXIT

Fit the top cover plate to the stove with the two screws holding on the rear exit cover plate making sure that the sealing rope is properly seated on the stove flue outlet. Tighten screws. See Fig.21.

Fig.11

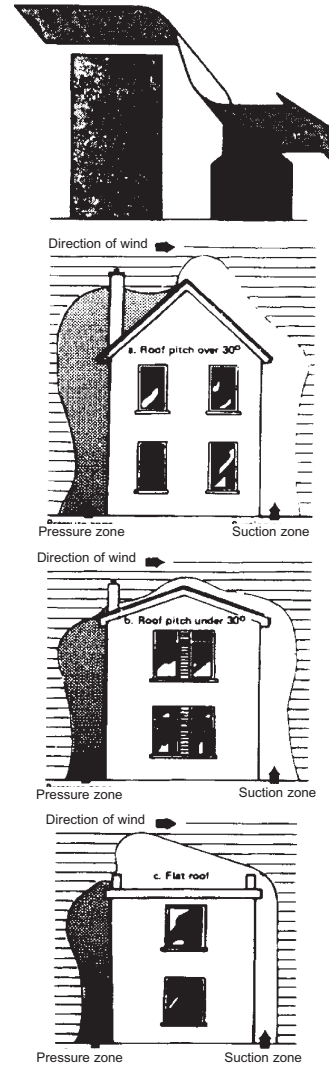


DOWN DRAUGHTS

However well designed constructed and positioned, the satisfactory performance of the flue can be adversely affected by down draught caused by nearby hills, adjacent tall buildings or trees. These can deflect wind to blow directly down the flue or create a zone of low pressure over the terminal.

A suitable terminal or cowl will usually effectively combat direct down blow but no cowl is likely to prevent down draught due to a low pressure zone. (See Fig.12)

Fig.12



VENTILATION & COMBUSTION AIR REQUIREMENTS

It is imperative that there is sufficient air supply to the stove in order to support correct combustion. The air supply to this appliance must comply with current Building Regulations Part J, Heat Providing Appliances. If another appliance is fitted in an adjacent room it will be necessary to calculate an additional air supply.

The minimum effective air requirement for this appliance is 53cm². When calculating combustion air requirements for this appliance use the following equation:

550mm² per each kw of rated output above 5kw should be provided, where a flue draught stabiliser is used the total free area shall be increased by 300mm² for each kw of rated output.

NOTE:

There must not be an extractor fan fitted in the same room as the stove as this can cause the stove to emit smoke and fumes into the room.

All materials used in the manufacture of air vents should be such that the vent is dimensionally stable, corrosion resistant, and no provision for closure.

The effective free area of any vent should be ascertained before installation. The effect of any grills should be allowed for when determining the effective free area of any vent.

Air vents should be positioned so that they are not liable to blockage.

Air vents direct to the outside of the building should be located so that any air current produced will not pass through normally occupied areas of the room.

An air vent outside the building should not be located less than the dimensions specified within the Building Regulations and B.S. 8303: Part 1 from any part of any flue terminal. These air vents must also be satisfactorily fire proofed as per Building Regulations and B.S. 8303: Part 1.

Air vents in internal walls should not communicate with bedrooms, bedsits, toilets, bathrooms or rooms containing a shower. Air vents traversing cavity walls should include a continuous duct across the cavity. The duct should be installed in such a manner as not to impair the weather resistance of the cavity.

Joints between air vents and outside walls should be sealed to prevent the ingress of moisture. Existing air vents should be of the correct size and unobstructed for the appliance in use.

If there is an extraction fan fitted in adjacent rooms where this appliance is fitted, additional air vents may be required to alleviate the possibility of spillage of products of combustion from the appliance/flue while the fan is in operation. Refer to B.S. 8303 Part 1.

Where such an installation exists, a test for spillage should be made with the fan or fans and other appliances using air in operation at full rate, (i.e. extraction fans, tumble dryers) with all external doors and windows closed.

If spillage occurs following the above operation, an additional air vent of sufficient size to prevent this occurrence should be installed.

Especially Airtight Properties:-

If the stove is being fitted in a property where the design air permeability is less than 5m³ / (h.m²) (normally newer properties built from 2006), then a permanent ventilation must be fitted to provide 550mm² of ventilation for each kW of rated output. If a draught stabiliser is also fitted then the requirement is 850mm² per kW of rated output.

LOCATION

There are several conditions to be considered in selecting a location for your Stanley Erin Stove.

- a. Position in the area to be heated, central locations are usually best.
- b. Allowances for proper clearances to combustibles.
- c. Allowances for proper clearances for maintenance work.

CLEARANCE TO COMBUSTIBLES

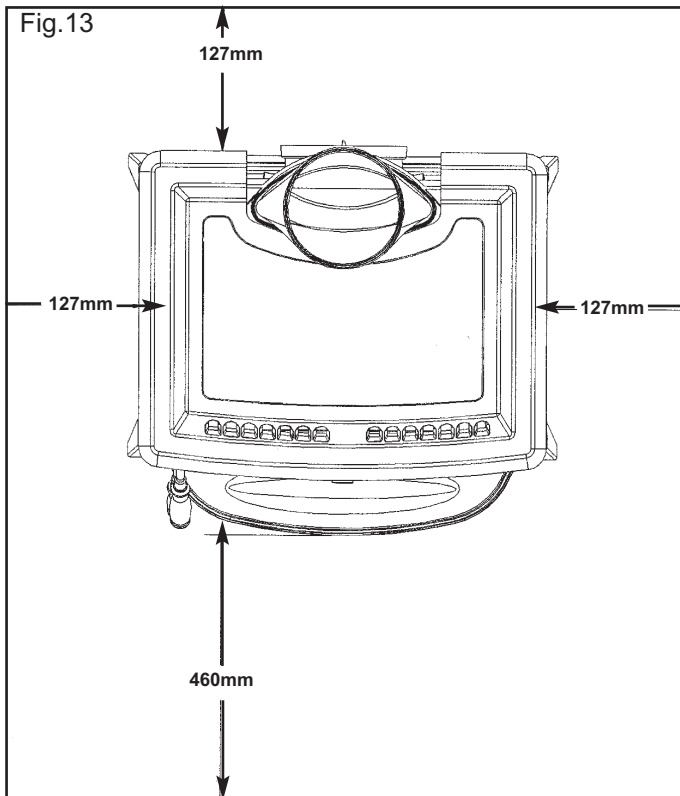
Maintain at least the following clearances to all combustible material:

From the front	(36") 910 mm
From the back	(35") 900 mm
From the sides	(28") 700 mm
From the flue pipe	(36") 910 mm
straight up only	

It is recommended that this appliance is sited next to and on a non-combustible surface. A minimum all round clearance of 150 mm will allow air circulation and not impede the performance of the stove.

FLOOR PROTECTION

When installing this heater on a combustible floor, a floor protector, consisting of a layer of non combustible material at least $\frac{3}{8}$ " (10mm) thick or $\frac{1}{4}$ " (6mm) thick covered with $\frac{1}{8}$ " (3mm) sheet metal. It is required to cover the area under the heater and to extend to at least 18" (460mm) at the front and 8" (200mm) to the sides, and rear, this will provide protection from sparks and embers which may fall out from the door when stoking or fuelling, See Fig. 13



STOVE DIMENSIONS

Fig. 14

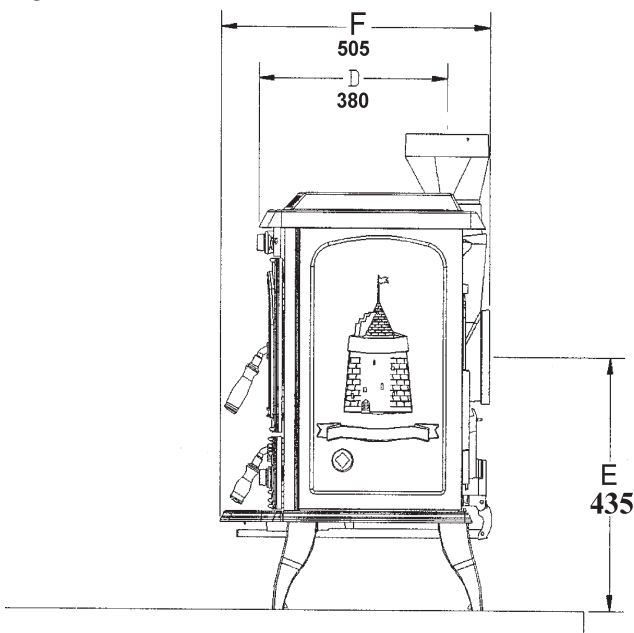
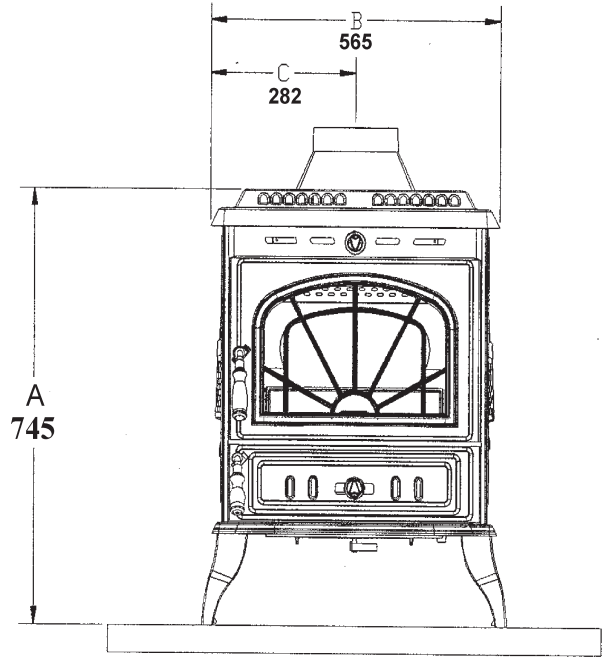


Fig. 15



WARNING: DO NOT OBSTRUCT PRIMARY AIR SUPPLY TO THE STOVE

Note: Dimensions stated are in millimetres and may be subject to a slight +/- variation.

COMMISSIONING AND HANDOVER

On completion of the installation allow a suitable period of time for any fire cement and mortar to dry out, when a small fire may be lit and checked to ensure the smoke and fumes are taken from the stove up the chimney and emitted safely to the atmosphere. **Do not run at full output for at least 24 hours.**

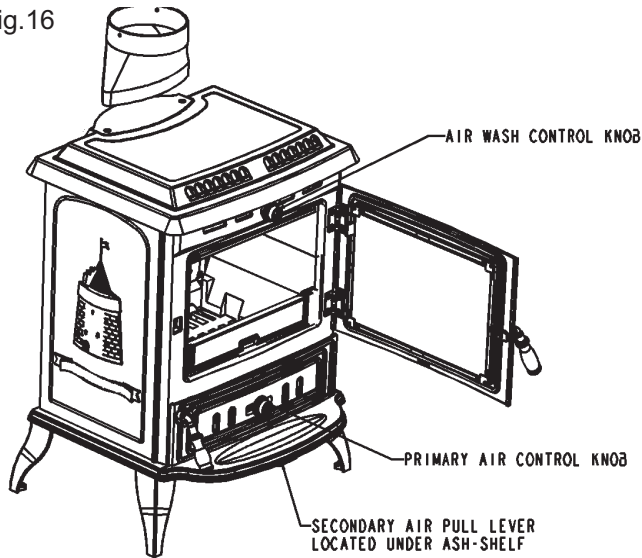
Ensure that the operating instructions for the stove are left with the customer. Ensure to advise the customer on the correct use of the appliance with the fuels likely to be used on the stove and warn them to use only the recommended fuels for the stove.

Advise the user what to do should smoke or fumes be emitted from the stove. The customer should be warned to use a fireguard to BS 8432:2010 in the presence of children, aged and/or infirm persons.

OPERATION

Check that all dampers and catches are operating correctly and ensure that all flue connections are thoroughly sealed.

Fig.16



AIR CONTROLS

The stove has three independent air controls:

1. The primary air control knob on the ashdoor (See fig. 16 &17). Move the knob to the right to open and to the left to close.
2. The air wash control which is located above the firedoor (See fig. 16), turn anti-clockwise to open and clockwise to close (See fig. 18). The air wash control is hot when the appliance is in use, the ashpan handle is a combined operating tool and can be used to operate this knob or use the glove provided.
3. The secondary air is adjusted by adjusting the position of the secondary air connecting rod which is located underneath the ashtray (See fig. 16 & fig. 19). Pull the rod out to open and push it in to close.

Fig.17

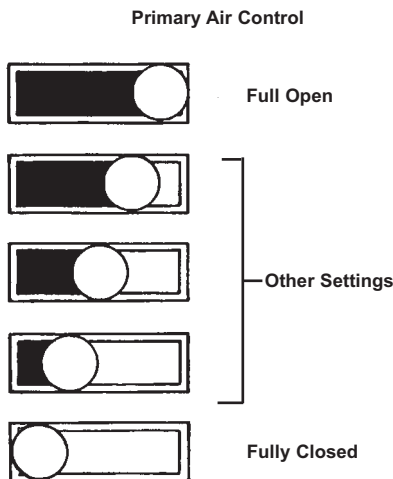


Fig.18

Air Wash Control

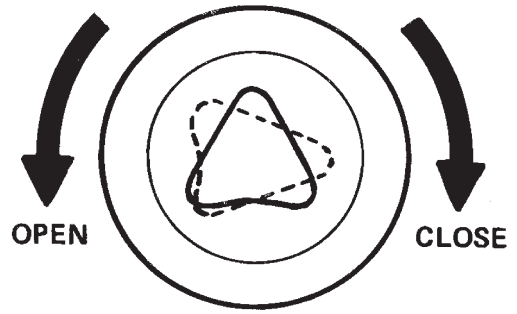
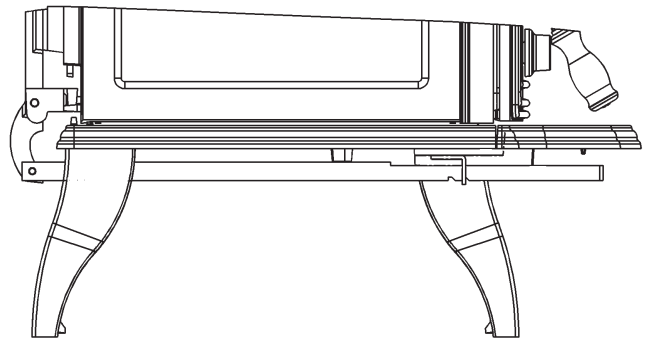


Fig.19



NOTE: When burning anthracite or smokeless coal, the air wash and secondary air damper must be closed.

RECOMMENDED FUELS

All fuels should be stored under cover and kept as dry as possible prior to use.

This appliance has been tested using seasoned wood logs and manufactured briquetted smokeless fuel (Ancit) for closed appliances, sized between 20g and 140g. Other fuels are commercially available and may give similar results. Wood logs up to 340mm long are suitable. All fuels should be stored under cover and kept as dry as possible prior to use.

Do not use fuels with a Petro-coke ingredient as this may cause the grate to overheat, causing damage. Reduced outputs will result when fuels of lower calorific values are used. Never use gasoline or gasoline type lantern fuel, kerosene, charcoal lighter fluid or similar liquids to start or freshen up a fire in this heater. Keep all such liquid well away from the heater at all times. Operate the stove only with the fuelling door closed except for re-fuelling.

This stove has obtained HETAS Ltd approval for burning natural and manufactured smokeless fuels only as detailed in recommended fuels below. HETAS Approval does not cover the use of other fuels either alone or mixed with the recommended fuels listed, nor does it cover instructions for the use of other fuels.

TECHNICAL DATA

	OUTPUT TO ROOM		TOTAL OUTPUT	
	NOMINAL	MAX.	NOMINAL	MAX.
WOOD LOGS	10.2 kW		10.2kW	
MANUFACTURED SMOKELESS FUEL	10.4 kW	14.7kW	10.4kW	14.7kW

Typical refuelling intervals to obtain nominal outputs	Wood MSF	1.5 hours 4 hours	5.5kgs 6.5kgs
Flue Gas Mass Flow	Wood MSF	7.7 g/s 8.2 g/s	
Flue Gas temp at nominal output	344°C		
Gross Weight: 172 kgs			
Flue Outlet 153 mm	Log size	406 mm	
This appliance has been tested in accordance with BS EN 13240	Flue draught 15 Pascals		

Model	Energy Efficiency Class	Heat Output to Room	Heat Output to Water	Energy Efficiency Index	Preferred Fuel	Nominal Heat Output	Net Efficiency
Erin NB SF Stove	A	10.2	N/A	98.45	Wood	10.2	74.1

LIGHTING

Before lighting the stove check with the installer that the installation work and commissioning checks described previously have been carried out correctly and that the chimney has been swept clean, is sound and free from any obstructions. As part of the stoves commissioning and handover the installer should demonstrate how to operate the stove correctly.

USER INSTRUCTIONS

LIGHTING THE STOVE

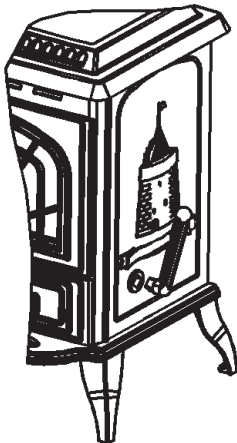
1. Open firedoor and open the primary air inlet by sliding the control knob on the ashpit door to the right hand side.
2. Open the secondary air inlet by pulling it out and open the air wash control by turning it anti-clockwise.
3. Cover the grate with crumpled pieces of paper and lay 10-12 pieces of kindling on top of the paper towards the back of the firebox.
4. Ignite and close the fire door.
5. When the kindling is well alight open the fire door and add more kindling of a larger size to sustain the fire. Close the fire door.
6. When a hot fire bed is established add the normal fuel.
7. When well lighted, adjust the air controls as required depending on the fuel type being used & the heat output required. The controls should be adjusted in conjunction with each other to get the appropriate burn rate with exact settings on each control depending on the draught conditions of the chimney to which the unit is connected.

FUEL	AIR CONTROLS					
	IGNITION			CONTROLLED BURN		
	PRIMARY	AIRWASH	SECONDARY	PRIMARY	AIR WASH	SECONDARY
ANTHRACITE	FULLY OPEN	FULLY CLOSED	FULLY CLOSED	0-80% OPEN	FULLY CLOSED	FULLY CLOSED
COAL	FULLY OPEN	FULLY OPEN	FULLY OPEN	0-80% OPEN	0-50% OPEN	0-50% OPEN
WOOD/ TURF	FULLY OPEN	FULLY OPEN	FULLY OPEN	0-10% OPEN	0-80% OPEN	0-80% OPEN

RE-FUELLING

Riddle the fire using the operating tool (see Fig. 20). Before opening the door, move the primary air control knob fully to the right (i.e. fully open) as this will help to eliminate any smoke or fly ash resident in the combustion chamber. Add fuel to the fire, close the door and reset the primary air control knob to the desired setting.

Fig.20



SLOW BURNING

Slow burning will cause the window glass to blacken and should not be used for a long period. It should only be done after the fire has been established and been running at nominal output for a period of time. For a prolonged show burn, fill the firebox with fuel up to the maximum height just below the top of the fire fence at the front of the door opening. Close all controls fully.

DE-ASHING

When ash build-up becomes excessive in the fire chamber shake the firebars by inserting the operating tool into the square slot on the right side of the stove. (See Fig. 20)

DISPOSAL OF ASHES

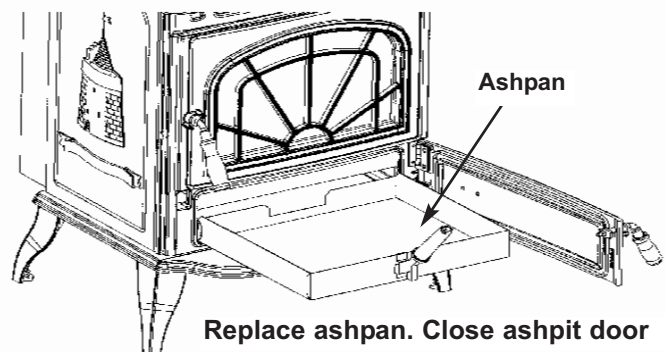
Your stove is provided with a steel ashpan. This ashpan should be emptied every day.

If ashes are allowed to build to grate level you could damage the firebars by overheating. We recommend that you remove ashes after you have riddled the fire following overnight burn.

Ashes should be placed in a metal or other non-combustible container with a tight fitting lid. The closed container of ashes should be placed on a non-combustible material, pending final disposal. If ashes are buried in soil, or otherwise dumped they should be retained in the closed container until they are thoroughly cooled. Open the ashdoor and remove the ashpan using the tool provided, see Fig. 21. Close the ashdoor. When the ash is disposed of replace the ashpan.

REMEMBER COAL GASES ARE TOXIC

Fig.21



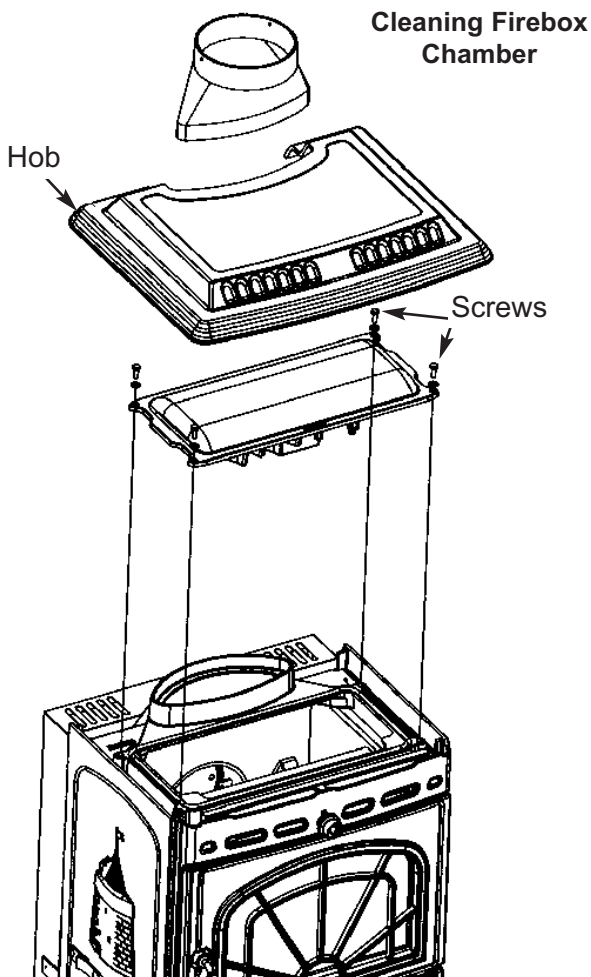
MONTHLY MAINTENANCE

Cleaning Stove Flue Pathways

It is recommended that the flue pathways in the stove are cleaned on a monthly basis (or less depending on the soot build-up created by the fuel being used) and the chimney cleaned annually. To access the chimney pathways, use the following procedure (See fig. 22)

1. Remove the hob and place to one side, taking care not to damage the enamel finish.
2. Remove the heat exchanger by unscrewing the four 1/4" round head screws, and insert the cleaning brush.
3. Replace the heat exchanger, ensuring that the rope has not moved out of position or been damaged.
4. Replace the hob before relighting the fire.

Fig.22



PERIODIC MAINTENANCE

ADJUSTING THE DOOR CATCH

Over time, the fire door latch can loosen due to the continual compression and hardening of the rope seal between the door and the front casting. The position of the latch can be easily adjusted (in order to tighten the door closure) by removing the nut holding on the door latch and repositioning the washers between the latch & the door casting to allow the latch to be positioned closer to the back of the door casting - see Fig. 23 & 24. The tightness of the door seal should be checked after each adjustment is made. It is recommended that the rope seals on the stove are changed at least every two years or sooner if the seal loses its integrity.

Fig.23

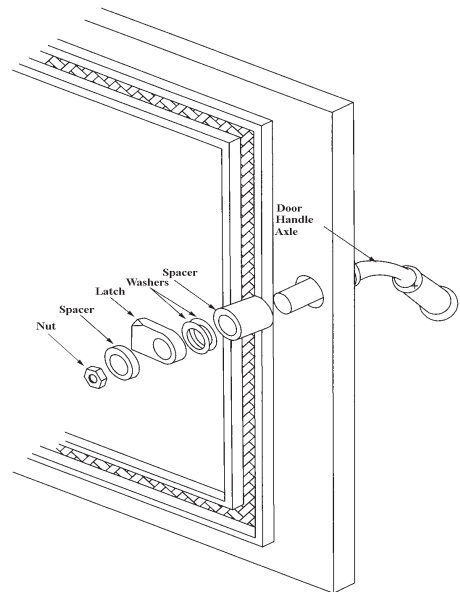
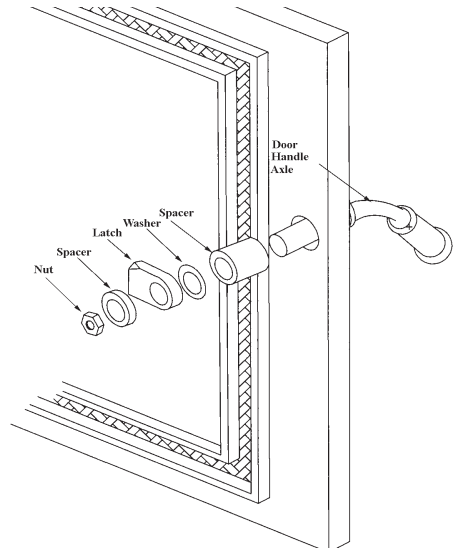


Fig.24



CHIMNEY CLEANING

The chimney should be cleaned twice annually or if the stove is not used for a prolonged period during the summer period, it should be cleaned prior to commencement of usage. The flue liner should be cleaned in accordance with manufacturer's instructions. Always use a brush with plastic bristles that is the correct size to reach all areas of the flue.

GLASS CLEANING

The stove glass will self-clean when there is sufficient heat generated by the burning fuel i.e. when the unit is operated at the maximum air settings. If a build-up of creosote occurs on the glass it may be due to low draft conditions, poor quality fuel or operating the stove at the minimum air settings for long periods of time. The glass should be cleaned when cool and cleaned with a non-abrasive cloth using warm soapy water. For stubborn deposits, a grade 0 steel wool can be used whilst taking care not to scratch the glass with any coal/ash deposits.

VITREOUS ENAMEL CLEANING

General cleaning must be carried out when the stove is cool.

If this stove is finished in a high gloss vitreous enamel, to keep the enamel in the best condition observe the following tips:

1. Wipe over daily with a soapy damp cloth, followed by a polish with a clean dry duster.
2. For stubborn deposits a soap impregnated pad can be carefully used on the vitreous enamel.
3. Use only products recommended by the Vitreous Enamel Association, these products carry the Vitramel label.

A detailed list of the approved cleaners can be found on their website www.vea.org.uk/enamel-care/

DO NOT USE ABRASIVE PADS OR OVEN-CLEANSERS CONTAINING CITRIC ACID ON ENAMELLED SURFACES. ENSURE THAT THE CLEANSER MANUFACTURERS INSTRUCTIONS ARE ADHERED TO.

NOTE: Small impact marks on the enamel finish can be repaired using an appropriate enamel touch up (a touch up bottle is included with the stove packaging) but it should not be used to cover marks greater than $\varnothing 10\text{mm}$ or multiple marks on the same casting/area.

CLEANING A MATT BLACK/SENOTHERM STOVE

Cleaning should be done when the stove is cold by removing any dust or dirt using a dry cloth. Do not use any water on the matt black/senotherm finish as this will cause it to rust.

PROLONGED PERIODS OF NON USE

If the stove is to be left unused for a prolonged period of time then it should be given a thorough clean to remove ash and unburned fuel residues. To enable a good flow of air through the appliance to reduce condensation and subsequent damage, leave the air controls fully open.

It is important that the flue connection, any appliance baffles or throat plates and the chimney are swept prior to lighting up after a prolonged shutdown period.

WARNING NOTE:

Properly installed, operated and maintained this stove will not emit fumes into the dwelling. Occasional fumes from the de-ashing and re-fuelling may occur. However, persistent fume emission is potentially dangerous and must not be tolerated. If fume emission does persist, then the following immediate action should be taken:

- (a) Open doors and windows to ventilate room.
- (b) Let the fire out or eject and safely dispose of fuel from the stove.
- (c) Check for flue or chimney blockage and clean if required.
- (d) Do not attempt to relight the fire until the cause of the fume emission has been identified and corrected. If necessary seek expert advice.

The most common cause of fume emission is flue-way or chimney blockage. For your own safety these must be kept clean at all times.

FIRE SAFETY

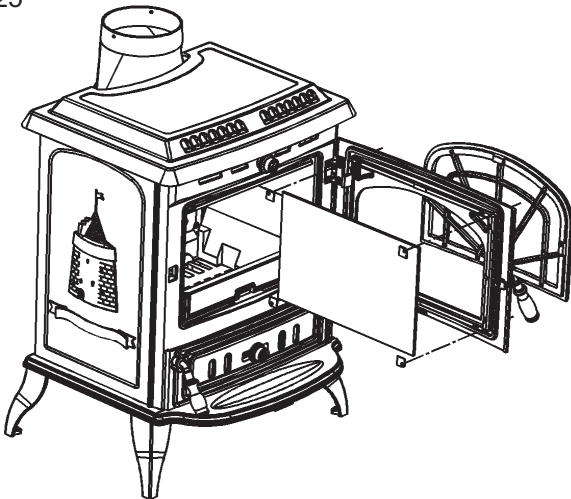
To provide reasonable fire safety, the following should be given serious consideration.

1. Do not over fire the stove.
2. Over-firing will also damage painted or enamel finish.
3. Install a smoke detector in the room.
4. A conveniently located class A fire extinguisher to contend with small fires resulting from burning embers.
5. A practical evacuation plan.
6. A plan to deal with a chimney fire as follows:-
 - (a) Notify the fire department.
 - (b) Prepare occupants for immediate evacuation.
 - (c) Close all openings into the stove.

GLASS REPLACEMENT

- (a) Open the fire door fully.
- (b) Remove the four corner screws and clips and carefully remove the broken glass.
- (c) Clean the glass recess in the door.
- (d) Replace the sealing rope in the door if necessary.
- (e) Tighten screws.
- (f) Replace glass only with ceramic glass 5mm thick. (See Fig. 25).

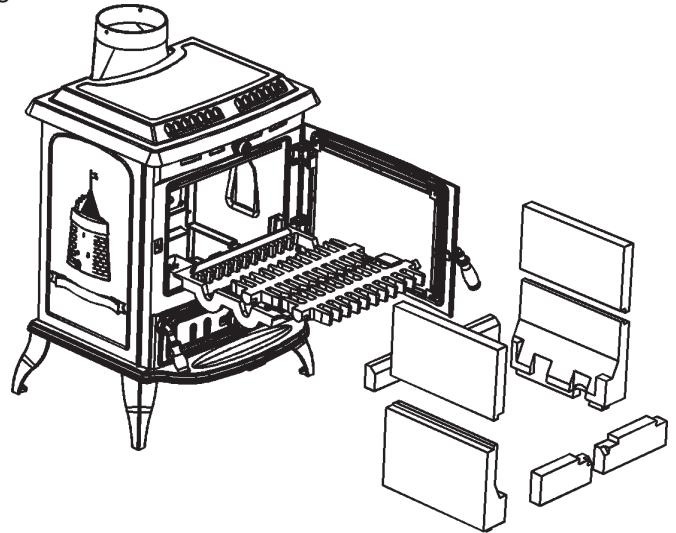
Fig.25



TO REPLACE DAMAGED BRICKS

Clean the firebox thoroughly and remove any fire cement in the joints of the bricks. Remove the left and right hand front bricks. Remove the two back bricks. To remove the side bricks (left or right), lift the top side brick up and hold it in position. Lift up the bottom side brick to clear the rocker bar frame then swing the bottom brick and take it out. Lower the top firebrick and take it out at the firebox. Replace the damaged brick and replace the bricks by doing the reverse of the above.

Fig.26



CO ALARM

The fitting of CO Alarms in the same room as the appliance is a compulsory requirement under current Building Regulations. For ROI an additional CO Alarm must be fitted either inside each bedroom or within 5 metres of the bedroom door, refer to Building Regulations Part J. Further guidance on the installation of a carbon monoxide alarm is available in BS EN 50292:2002 and from the alarm manufacturers instructions.

Provision of an alarm must not be considered a substitute for either installing the appliance correctly or ensuring regular servicing and maintenance of the appliance and chimney system.

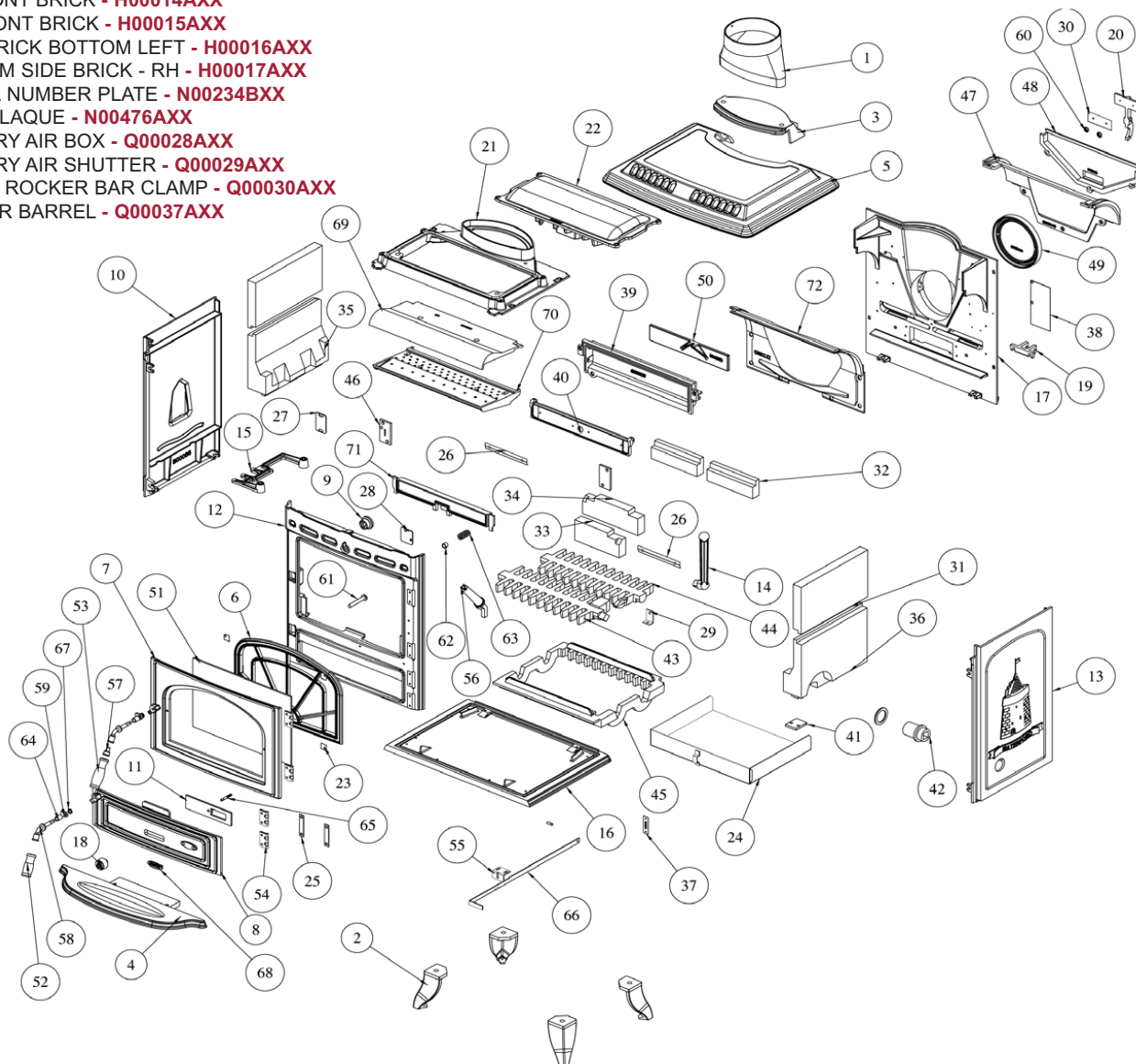
WARNING:-

If the CO Alarm sounds unexpectedly:-

1. Open Doors and windows to ventilate the room and then leave the premises.
2. Let the fire go out.

ERIN SOLID FUEL STOVE EXPLODED VIEW

- | | |
|--|---|
| <ol style="list-style-type: none"> 1. TOP FLUE OUTLET - B00053AXX 2. LEG (SHORT) - B00054AXX 3. TOP FLUE BLANKING PLATE - B00055AXX 4. ASHTRAY - B00056AXX 5. HOB - B00057BXX 6. DOOR GRILL - B00058AXX 7. FIRE DOOR - B00059CXX 8. ASHPIT DOOR - B0061CXX 9. AIR CONTROL KNOB - B00063AXX 10. LEFT HAND SIDE PANEL - B00066EXX 11. PRIMARY AIR SLIDE - B00067AXX 12. FRONT FRAME - B00069EXX 13. RH SIDE CASTING - B00071BXX 14. RIDDLING TOOL - B00076AXX 15. TOOL HOLDER - B00078AXX 16. BASE - B00079CXX 17. BACK PANEL - B00080AXX 18. PRIMARY AIR CONTROL KNOB - B00153AXX 19. SECONDARY AIR DAMPER BKT - B00389AXX 20. SECONDARY AIR DAMPER - B00391AXX 21. INNER TOP - B00553AXX 22. ACCESS PLATE - B00578AXX 23. DOOR GLASS CLIP - F00003AXX 24. ASHPAN - F00018AXX 25. PRIMARY AIR SLIDE CLIP - F00019AXX 26. GASKET CLAMP PLATE - F00022AXX 27. TOP LATCH COVER PLATE - F00023AXX 28. LOWER LATCH COVER PLATE - F00024AXX 29. SIDE SUPPORT CLIP - F00029AXX 30. PLATE TO DAMPER - F00833AXX 31. FIRE BRICK SIDE - H00012AXX 32. BACK BRICK - H00013AXX 33. LH FRONT BRICK - H00014AXX 34. RH FRONT BRICK - H00015AXX 35. FIRE BRICK BOTTOM LEFT - H00016AXX 36. BOTTOM SIDE BRICK - RH - H00017AXX 37. SERIAL NUMBER PLATE - N00234BXX 38. DATA PLAQUE - N00476AXX 39. PRIMARY AIR BOX - Q00028AXX 40. PRIMARY AIR SHUTTER - Q00029AXX 41. FRONT ROCKER BAR CLAMP - Q00030AXX 42. SHAKER BARREL - Q00037AXX | <ol style="list-style-type: none"> 43. FRONT ROCKER BAR - Q00044AXX 44. BACK ROCKER BAR - Q00045AXX 45. ROCKER BAR FRAME - Q00047BXX 46. FIRE FENCE RETAINER - Q00048CXX 47. AIR DUCT BACK PLATE - Q00049AXX 48. AIR INLET BOX - Q00571AXX 49. BACK FLUE COVER PLATE - Q00578AXX 50. BAFFLE - Q00753AXX 51. GLASS - T00003AXX 52. DOOR HANDLE (SHORT) - U00008AXX 53. DOOR HANDLE LONG - U00009AXX 54. HINGE - U00153AXX 55. SECONDARY AIR CON ROD BKT - V00017BXX 56. OPERATION TOOL - V00020BXX 57. SPIGOT TO DOOR HANDLE - V00021AXX 58. DOOR HANDLE AXLE - V00022BXX 59. DOOR LATCH - V00023AXX 60. CONICAL SPRING - V00024AXX 61. PRIMARY AIR CONTROL SHAFT - V00027AXX 62. SPACER - V00033AXX 63. SPRING - V00034AXX 64. SPACER - V00039AXX 65. AIR SLIDE SPINDLE - V00067AXX 66. CON ROD TO AIR DAMPER - V00068AXX 67. SPACER - V00489AXX 68. BADGE - V00730BXX 69. TOP AIR DUCT PLATE - Z00001AXX 70. BOTTOM AIR DUCT PLATE - Z00002AXX 71. FIRE FENCE - Z00003AXX 72. SECONDARY AIR BACK PLATE - Z00006AXX |
|--|---|



NOTES

Manufactured by
Waterford Stanley Ltd.,
Unit 401-403, IDA Industrial Estate, Cork Road,
Waterford, Ireland.
Tel: (051) 302300 Fax (051) 302315

