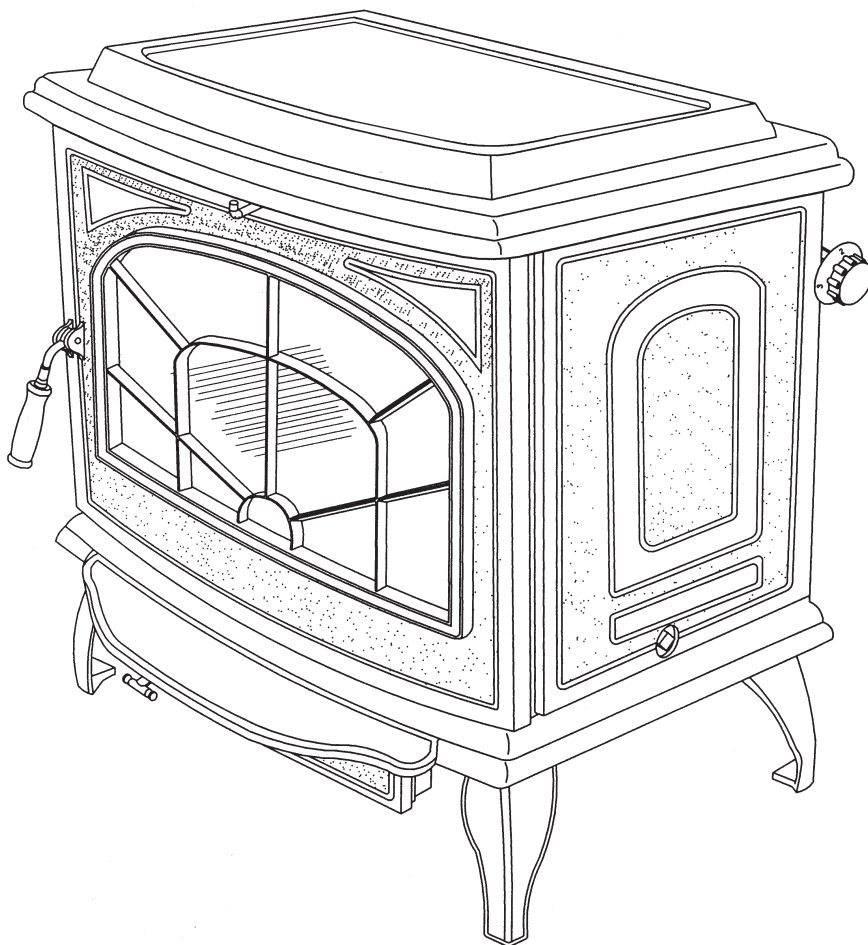


---



**STANLEY™**

# **Ashling Boiler & Non Boiler Solid Fuel Stove - (No Hotplate)**



## **INSTALLATION AND OPERATING INSTRUCTIONS**

*This appliance is hot while in operation and retains its heat for a long period of time after use. Children, aged or infirm persons should be supervised at all times and should not be allowed to touch the hot working surfaces while in use or until the appliance has thoroughly cooled.*

*When using the boiler stove in situations where children, aged and/or infirm persons are present a fireguard must be used to prevent accidental contact with the stove. The fireguard should be manufactured in accordance with BS 6539.*

---

---

## TABLE OF CONTENTS

	<b>PAGE NO.</b>
1. General .....	3
Handling .....	3
Fire Cement .....	3
Asbestos .....	3
Metal Parts .....	3
2. Pre Installation Assembly .....	3
3. Flues .....	4
4. Flue Pipes .....	4
5. Chimney .....	4
6. Down Draughts .....	4
7. Ventilation & Combustion Air Requirements .....	4
8. Permanent Air Vent .....	5
9. Commissioning & Handover .....	5
10. Top Flue Exit & Rear Flue Exit - Boiler Model & Non Boiler Model .....	5
11. Location .....	6
12. Installation Clearances .....	6
13. Floor Protection .....	6
14. Technical Data .....	7
15. Specification - Boiler Model .....	7
16. Specification - Non Boiler Model .....	8
17. Plumbing - Boiler Model .....	8
18. Regulations .....	8
19. Gravity Circuit .....	8
20. Injector Tee .....	8
21. Water Circuit Temperature .....	9
22. Pipe Thermostat .....	9
23. Operating Instructions .....	9
24. Low/Slumber Burn .....	9
25. Thermostat Operation .....	9
26. Recommended Fuels .....	9
27. Important Notes .....	10
28. Lighting .....	11
29. De-Ashing .....	12
30. Disposal of Ashes .....	12
31. To Clean Chimney Outlet - Boiler Model & Non Boiler Model .....	13
32. To Replace Damaged Grate or Grate Bar - Boiler Model & Non Boiler Model .....	13

---

## TABLE OF CONTENTS

	<b>PAGE NO.</b>
33. Fire Safety .....	13
34. In Case of Fire .....	14
35. Vitreous Enamel Cleaning .....	14
36. Glass Cleaning .....	14
37. Glass Replacement .....	14
38. CO Alarm .....	14
39. Exploded View - Non Boiler Model .....	15
40. Exploded View - Boiler Model .....	16
41. Installation Check List .....	17

## ASHLING SOLID FUEL STOVE INSTALLATION & OPERATING INSTRUCTIONS

**NOTE:** Please note that it is a legal requirement under England & Wales Building Regulations that the installation of the stove is either carried out under Local Authority Building Control approval or is installed by a Competent Person registered with a Government approved Competent Persons Scheme. HETAS Ltd operate such a Scheme and a listing of their Registered Competent Persons can be found on their website at [www.hetas.co.uk](http://www.hetas.co.uk).

### GENERAL

When installing, operating and maintaining your Ashling Stove respect basic standards of fire safety. Read these instructions carefully before commencing the installation. Failure to do so may result in damage to persons and property. Consult your local Municipal office and your insurance representative to determine what regulations are in force. Save these instructions for future reference.

Special care must be taken when installing the stove such that the requirements of the Health & Safety at Work Act are met.

### Handling

Adequate facilities must be available for loading, unloading and site handling.

### Fire Cement

Some types of fire cement are caustic and should not be allowed to come into contact with the skin. In case of contact with the skin wash immediately with plenty of water.

### Asbestos

This stove contains no asbestos. If there is a possibility of disturbing any asbestos in the course of installation then please seek guidance and use appropriate protective equipment.

### Metal Parts

When installing or servicing this stove care should be taken to avoid the possibility of personal injury.

### IMPORTANT WARNING

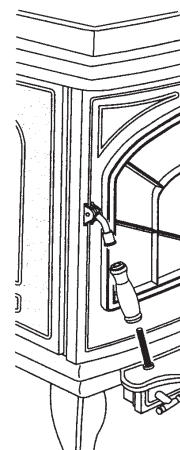
This stove must not be installed into a chimney that serves any other heating appliance. There must not be an extractor fan fitted in the same room as the stove as this can cause the stove to emit fumes into the room.

The complete installation must be done in accordance with current Standards and Local Codes. It should be noted that the requirements and these publications may be superseded during the life of this manual.

### PRE INSTALLATION ASSEMBLY

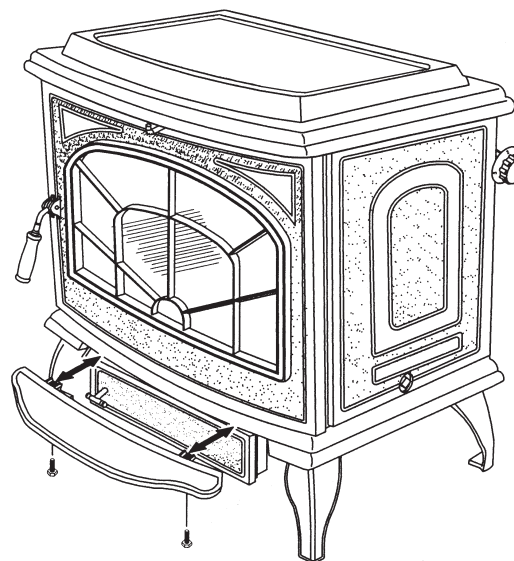
1. After removing the stove from its pack, open the ashpit door and remove the contents.
2. Fit the front door handle using the M8 front door handle screw, as shown in Fig.1. Open the front door and remove the contents.

Fig.1



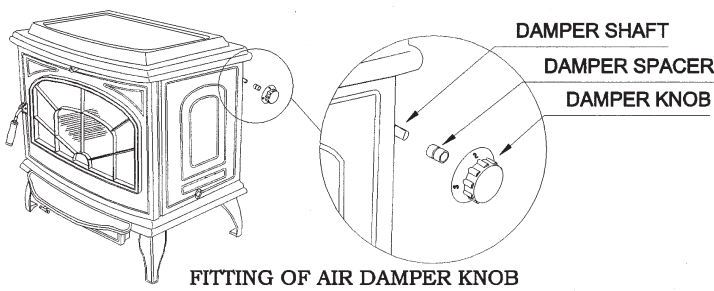
3. Remove the stove from the wooden pallet.
4. Unscrew the two 1/4" x 1/2" round head screws from the base and fit the front ash tray using the two screws (see Fig.2).

Fig.2



Fit the primary air control knob to the flexible drive. (for the boiler model, ensure that the air damper knob spacer is placed between the knob and the flexible drive bracket on the back of the boiler). See Fig.3.

Fig.3



## FLUES

Flues should be vertical wherever possible and where a bend is necessary, it should not make an angle of more than  $37.5^\circ$  with the vertical. Horizontal flue runs should be avoided except in the case of a back outlet appliance, when the length of the horizontal section should not exceed 300mm.

## FLUE PIPES

A flue pipe should only be used to connect an appliance to a chimney and should not pass through any roof space.

Flue pipes may be of any of the following materials:

- (a) Cast iron as described in BS 41: 1973 (1981), or
- (b) Mild steel with a wall thickness of at least 3mm, or
- (c) Stainless steel with a wall thickness of at least 1mm and as described in BS EN 10095: 1999 Specification for stainless and heat resisting steel plate, sheet and strip, for Grade 316 S11, 316 S13, 316 S16, 316 S31, 316 S33, or the equivalent Euronorm 88-71 designation, or
- (d) Vitreous enamelled steel complying with BS 6999: 1989.

Flue pipes with spigot and socket joints should be fitted with the socket uppermost.

## CHIMNEY

The Ashling is a radiant room heater and must be connected to a chimney of the proper size and type. The chimney must have a cross-sectional area of at least 30 square inches 18150sq. mm or a diameter of at least 6" (150mm). It is best to connect to a chimney of the same size, as connection to a larger size may result in a somewhat less draught.

Do not connect to a chimney serving another appliance. Minimum chimney height 15' (4.1 meters) from floor on which stove is installed. An existing masonry chimney should be inspected and if necessary repaired by a competent mason. The stove must be connected to a chimney with a minimum

continuous draft of .06" wg. Poor draft conditions will result in poor performance.

Chimneys for use with solid fuel appliances should be capable of withstanding a temperature of  $1100^\circ\text{C}$  without any structural change which would impair the stability or performance of the chimney.

## DOWN DRAUGHTS

However well designed constructed and positioned, the satisfactory performance of the flue can be adversely affected by down draught caused by nearby hills, adjacent tall buildings or trees. These can deflect wind to blow directly down the flue or create a zone of low pressure over the terminal. A suitable anti-down draught terminal or cowl will usually effectively combat direct down blow but no cowl is likely to prevent down draught due to a low pressure zone.

## VENTILATION & COMBUSTION AIR REQUIREMENTS

This appliance is rated at no more than 8kW. It is imperative that there is sufficient air supply to the stove in order to support correct combustion. The air supply to this appliance must comply with B.S. 8303: Part 1 and current Building Regulations. The minimum effective air requirement for this appliance is  $16.5\text{cm}^2$ .

If a draught stabiliser is used then this increases to  $40.5\text{cm}^2$ . When calculating combustion air requirement for this appliance use the following equation: a total free area of at least  $550\text{mm}^2$  per kW of rated output above 5kW shall be provided. If there is another air using appliance fitted in the same or adjacent room, it will be necessary to calculate additional air supply. All materials used in the manufacture of air vents should be such that the vent is dimensionally stable and corrosion resistant.

The effective free area of any vent should be ascertained before installation. The effect of any screen should be allowed for when determining the effective free area of any vent.

Air vents direct to the outside of the building should be located so that any air current produced will not pass through normally occupied areas of the room.

An air vent outside the building should not be located less than the dimensions specified within the Building Regulations from any part of any flue terminal.

These air vents must also be fire proofed as per Building Regulations.

Air vents traversing cavity walls should include a continuous duct across the cavity. The duct should be installed in such a manner as not to impair the weather resistance of the cavity. Joints between air vents and outside walls should be sealed to prevent the ingress of moisture. Existing air vents should be of the correct size and unobstructed for the appliance in use. If there is an air extraction fan or other air using appliance fitted in adjacent rooms where this appliance is fitted, additional air vents may be required to alleviate the possibility of spillage of products of combustion from the appliance/flue while the fan is in operation.

Where such an installation exists, a test for spillage should be made with the fan or fans and other appliances using air in operation at full rate, (i.e. extraction fans, tumble dryers) with all external doors and windows closed. If spillage occurs following the above operation, an additional air vent of sufficient size to prevent this occurrence should be installed.

### PERMANENT AIR VENT

The stove requires an adequate air supply in order for it to operate safely and efficiently. The installer may have fitted a permanent air supply vent into the room in which the stove is installed to provide combustion and/or ventilation air. This air vent should not under any circumstances be shut off or sealed.

### Extractor Fan

There must not be an extractor fan fitted in the same room as the stove as this can cause the stove to emit smoke and fumes into the room.

### COMMISSIONING & HANDOVER

On completion of the installation allow a suitable period of time for any fire cement and mortar to dry out, when a small fire may be lit and checked to ensure the smoke and fumes are taken from the stove up the chimney and emitted safely to the atmosphere. **Do not run at full output for at least 24 hours.**

On completion of the installation and commissioning ensure that the operating instructions for the stove are left with the customer. Ensure to advise the customer on the correct use of the appliance with the fuels likely to be used on the stove and warn them to use only the recommended fuels for the stove.

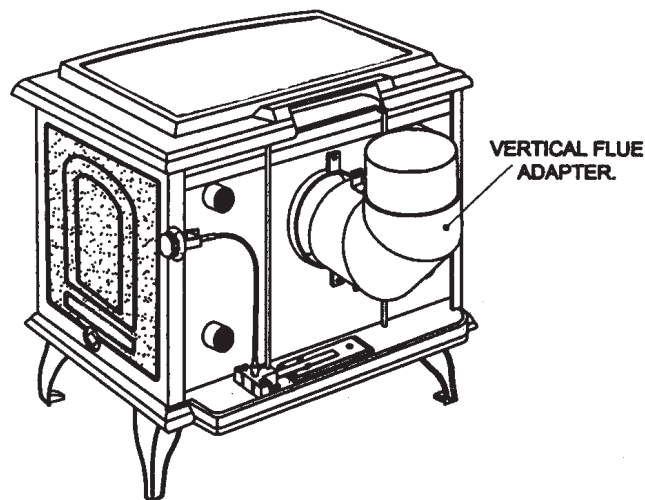
Advise the user what to do should smoke or fumes be emitted from the stove. The customer should be warned to use a fire guard to BS 6539 in the presence of children, aged and/or infirm persons.

## TOP FLUE EXIT

### Boiler Model

For the top outlet configuration, connect bend (not supplied) into flue outlet socket at the rear of the stove and cement into place using approved fire cement ensuring that no cement blocks the flue passageway. (See Fig. 4).

Fig 4

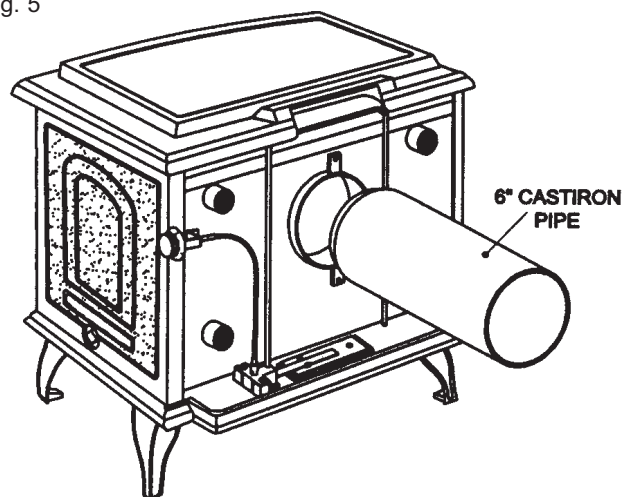


## REAR FLUE EXIT

### Boiler Model

For the rear flue outlet configuration, push in the flue connector pipe (not supplied) into the flue outlet socket at the rear of the stove and cement into place using approved fire cement ensuring that no cement blocks the flue passageway. (See Fig.5)

Fig. 5



## NON BOILER MODEL

This stove can be connected to either a top flue exit or a rear flue exit by simply reversing the orientation of the flue spigot on the flue spigot flange. See Figs. 6 & 7.

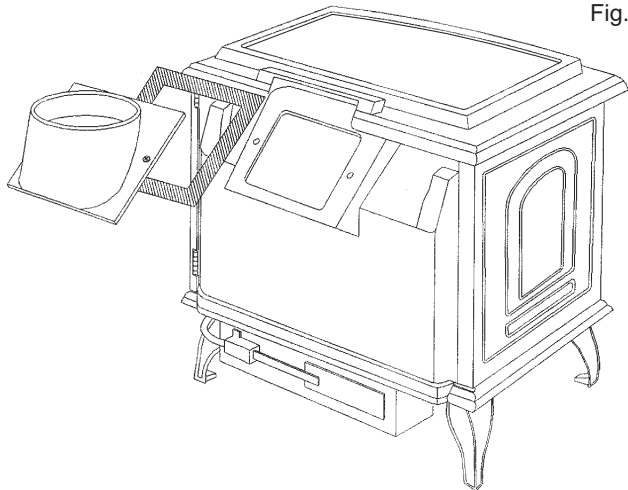


Fig. 6

## FLOOR PROTECTION

When installing this heater on a combustible floor, a floor protector, must be used, consisting of a layer of noncombustible material at least 3/8" (10mm) thick or 1/4" (6mm) thick covered with 1/8" (3mm) sheet metal. It is required to cover the area under the heater and to extend to at least 18" (460mm) at the front and 8" (200mm) to the sides, and rear, this will provide protection from sparks and embers which may fall out from the door when stoking or fuelling.

Fig.8

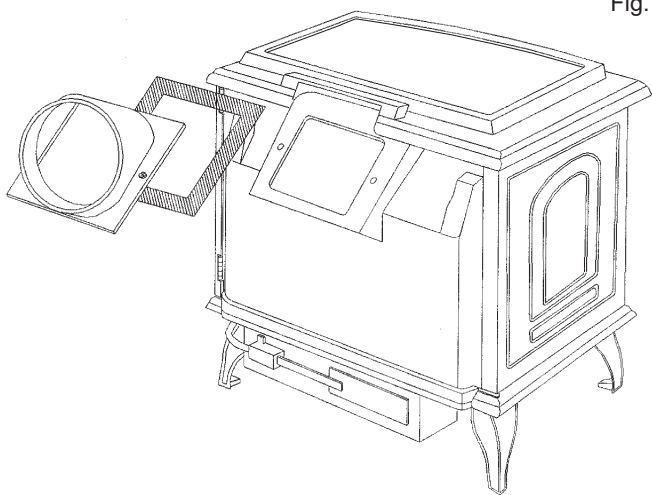
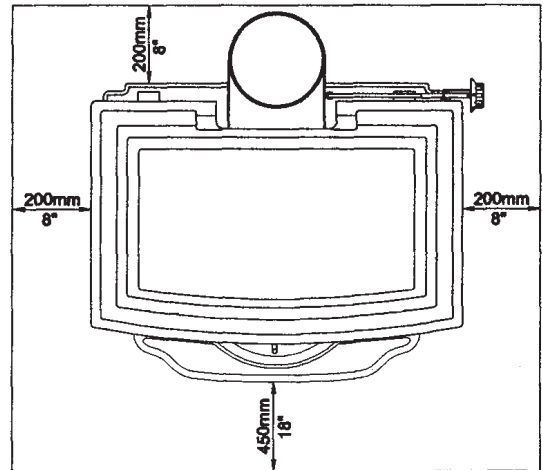


Fig.7

## LOCATION

There are several conditions to be considered in selecting a location for your Ashling Stove.

- a. Position in the area to be heated- central locations are usually best.
- b. Allowances for proper clearances to combustibles.

**Note:** Sufficient space should be given around the back and sides of the stove to allow access to the air control damper.

## INSTALLATION CLEARANCES

**Maintain at least the following clearances to all combustible material:**

From the front	91 cm (36")
From the back	30 cm (12")
From the sides	46 cm (18")
From the flue pipe	91 cm (36") straight up only

It is recommended that this appliance is sited next to and on a non-combustible surface. A minimum all round clearance of 100 mm will allow air circulation and not impede the performance of the stove.

---

## TECHNICAL DATA

<b>BOILER MODEL</b>						
	OUTPUT TO WATER		OUTPUT TO ROOM		TOTAL OUTPUT	
	NOMINAL	MAX.	NOMINAL	MAX.	NOMINAL	MAX.
<b>WOOD LOGS</b>	4.8		3.2		8	
<b>SOLID MINERAL FUEL</b>	4.5	9.67	3.4	6.1	7.9	15.8

<b>NON-BOILER MODEL</b>				
	OUTPUT TO ROOM		TOTAL OUTPUT	
	NOMINAL	MAX.	NOMINAL	MAX.
<b>WOOD LOGS</b>	8.2		8.2	
<b>SOLID MINERAL FUEL</b>	8.5	12	8.5	12

**Flue Outlet Diameter:** 152mm  
**Fire Door Size:** 455 x 230

Typical refuelling intervals to obtain nominal outputs:

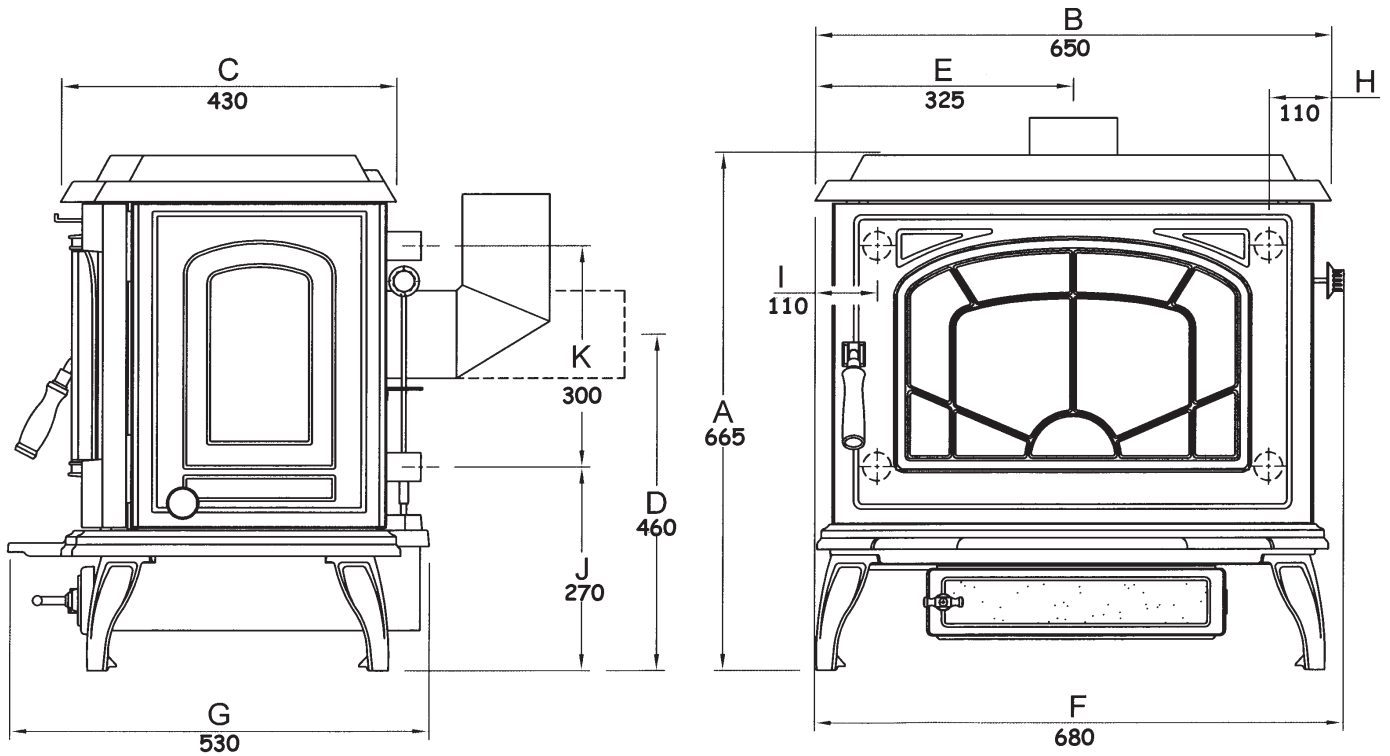
1.5 hours wood  
4 hours solid mineral fuel

**Wood Log Size:** 400mm  
**Gross Weight:** 167kgs



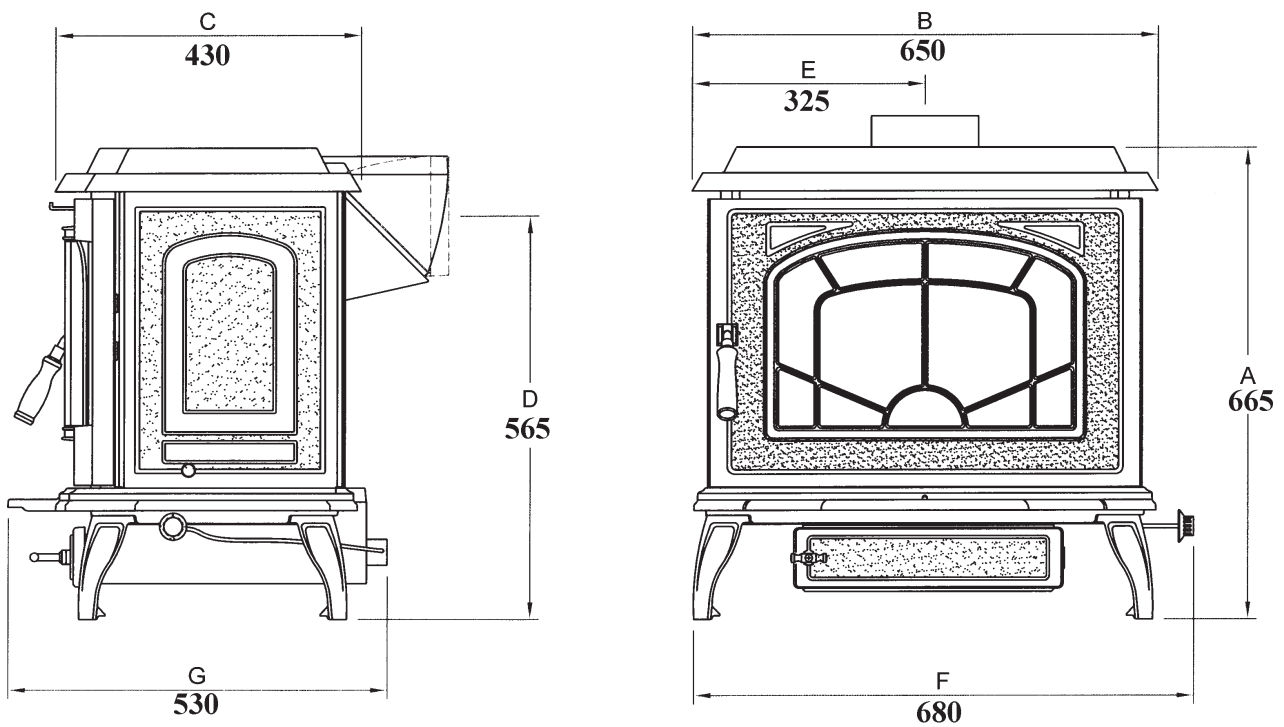
## SPECIFICATION - Boiler Model

Fig.9



## SPECIFICATION - Non Boiler Model

Fig.10



**Note:** Dimensions stated are in millimetres unless otherwise stated and may be subject to a slight +/- variation.

## PLUMBING (BOILER MODEL)

**WARNING: DO NOT OBSTRUCT PRIMARY AIR SUPPLY TO THE AIR DUCT AT THE BACK OF THE STOVE**

### REGULATIONS

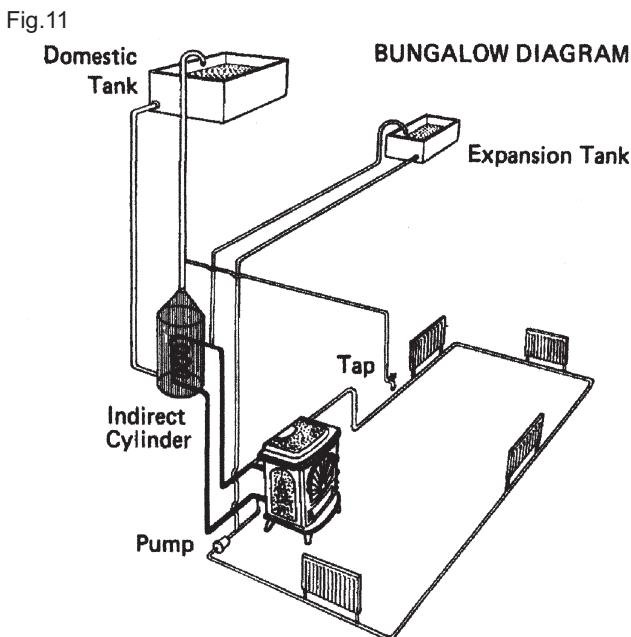
The plumbing must be in accordance with all relevant regulations and practices. It must include a gravity circuit with expansion pipe, open to the atmosphere. The central heating will be pump-driven as with other types of boilers.

### GRAVITY CIRCUIT

The gravity circuit consists of the domestic hot water tank of 135 litres indirect cylinder, fixed in an upright position, recommended for hot water storage and it should be connected to the boiler by 28mm diameter flow and return piping. The pipes should not exceed 7.8 meters (25ft) in length and cylinder and pipework should be fully lagged. The shorter the run of pipe work the more effective the water heating.

There must be no gate valves on this circuit and it must have an expansion pipe exhausting to atmosphere. Cylinder and pipe work should be lagged to minimise heat loss.

This diagram illustrates the basic principal of water heating systems and must not be regarded as a working drawing.

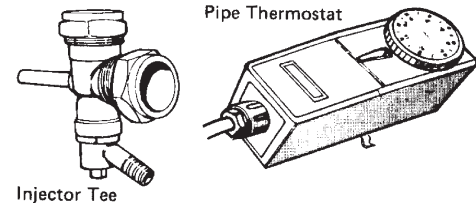


### INJECTOR TEE

Where the gravity and central heating circuits join together to return to the stove we recommend the use of an injector tee connection, situated as close to the unit as possible. This type of tee encourages

a stable flow of water through both circuits and helps to prevent priority being given to the stronger flow, which is most commonly the pumped central heating circuit.

Fig.12



### WATER CIRCUIT TEMPERATURE

The return water temperature should be maintained at not less than 40°C so as to avoid condensation on the boiler and return piping. Fitting a pipe thermostat to the flow pipe of the gravity circuit and wiring it into the pump control will ensure rapid circulation of the hot water.

### PIPE THERMOSTAT

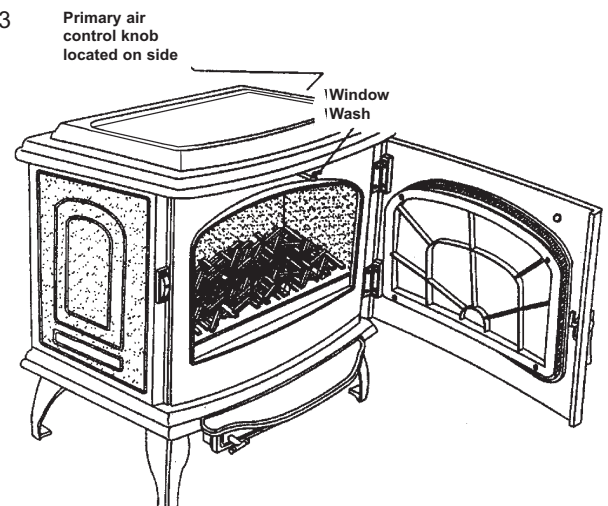
The fitting of a pipe thermostat to the flow pipe is essential in order to activate the water circulation pump when the water reaches the selected temperature.

When the water temperature falls below the selected temperature the pipe thermostat will cut off the water circulation pump in order to allow the boiler to recover.

### OPERATING INSTRUCTIONS

COAL, ANTHRACITE, PEAT, WOOD SYNTHETIC LOGS, OR OTHER FUELS. "Never use gasoline" gasoline type lantern fuel, kerosene, charcoal lighter fluid or similar liquids to start or 'freshen up' a fire in this heater. Keep all such liquid well away from the heater at all times. Operate stove only with fuelling door and ashpit doors closed. This heater is hot whilst in operation. Keep children, clothing and furniture a safe distance away.

Fig.13

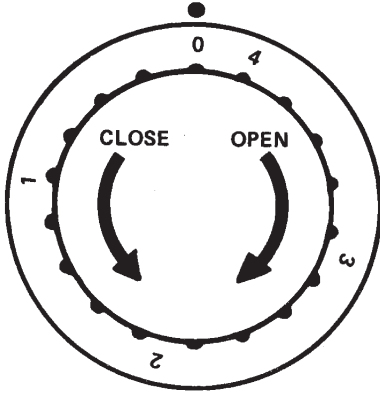


## LOW / SLUMBER BURN

To achieve an overnight or a low burn rate, close the air wash slider fully by pulling out the air wash lever using the ashpan lifting tool and turn the primary air control knob to setting 0.

## THERMOSTAT OPERATION

Fig.14



<b>Setting 0:</b>	<b>Closed</b>	<b>Overnight Burning</b>
<b>Setting 1:</b>	<b>1/4 Open</b>	
<b>Setting 2:</b>	<b>1/2 Open</b>	<b>Slow burning</b>
<b>Setting 3:</b>	<b>3/4 Open</b>	<b>Medium burning</b>
<b>Setting 4:</b>	<b>Full Open</b>	<b>Maximum Heat</b>

Rotate the knob to give the required burning rate.

### NOTE:-

A boiler model stove will provide heat into the boiler and also to the room in which it is situated. The heat to room is in a fixed relationship with the heat to the boiler.

The heat to the boiler is controlled by the air supply to the stove which is required to have a thermostatic damper for safety reasons. When the temperature of the water in the boiler exceeds 55 °C the thermostatic damper will begin to shut off the air supply, should the water temperature continue to rise the thermostatic damper will continue to close and if the water temperature reaches 85 °C the thermostatic damper closes the primary air supply fully.

In the event where a stove is fitted to a central heating system which is undersized in relation to the nominal heat output to boiler then the stove will operate satisfactorily but will be unable to achieve the nominal heat output to room as the thermostatic damper will shut off the air supply to prevent an overheat situation in the boiler.

**For example:-** Where a stove provides 2kW to the room and 8kW to the boiler and if the thermostatic damper shuts down the air supply to provide 4kW to the boiler, then the heat to room will decrease proportionally to 1kW.

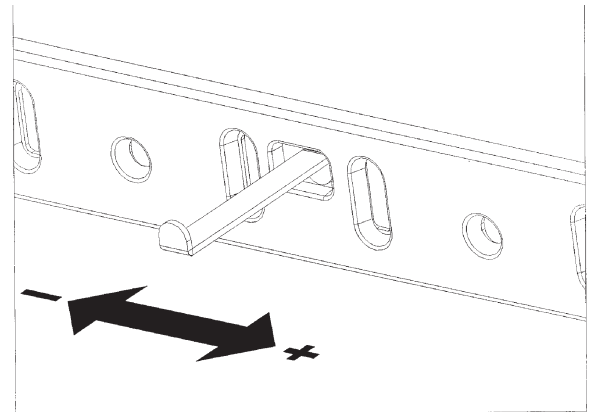
## RECOMMENDED FUELS

The stove output levels are assessed on standard House Coals of good quality. Reduced outputs will result when fuels of lower calorific values are used. Wood logs up to 406mm (16") long are suitable.

All fuels should be stored under cover and kept as dry as possible prior to use.

This stove has obtained HETAS Ltd approval as an 'intermittent' operating appliance for burning natural wood logs only as the recommended fuel. HETAS Approval does not cover the use of other fuels either alone or mixed with the recommended fuel, nor does it cover instructions for the use of other fuels.

Fig.15



**OPEN** When burning coal, timber or peat.  
**CLOSE** When burning anthracite and smokeless fuels.

---

## IMPORTANT NOTES

Now that your Stanley solid fuel Stove is installed and no doubt you are looking forward to many comforts it will provide, we would like to give you some tips on how to get the best results from your stove.

1. We would like if you could take some time to read the operating instructions/hints, which we are confident, will be of great benefit to you.
2. Do not burn fuel with a high moisture content, such as a damp peat or unseasoned timber. This will only result in a build up of tar in the stove and in the chimney.

<b>FUEL CALORIFIC VALUES - SOLID FUELS</b>		
Anthracite 25-50mm	C.V.: 8.2kW/Kg	14,000 BTUs/lb
House Coal 25-75mm	C.V.: 7.2kW/Kg	12,000 BTUs/lb
Timber - Firebox size	C.V.: 5.0kW/Kg	8,600 BTUs/lb
Peat Briquettes	C.V.: 4.8kW/Kg	8,300 BTUs/lb

3. Clean the flue-ways of the stove every week and ensure that there are no blockages. Please refer to manual for instructions.
4. Before loading fresh fuel into the firebox, riddle fully to remove all ashes this will allow better and cleaner burning. See directions in manual.
5. Never allow a build up of ashes in the ash pan, as this will cause the grate to burn out prematurely.
6. Avoid slow burning of damp or unseasoned fuel as this will result in tarring flue ways and chimney i.e. peat or timber.
7. Allow adequate air ventilation to ensure plenty of air for combustion.
8. Do not burn rubbish/household plastic.
9. Do not leave ash-door open for long periods as this will over heat the unit causing unnecessary damage.
10. Clean the chimney at least twice a year.
11. Burning soft fuels such as timber and peat will stain the glass. Regular cleaning will prevent permanent staining.
12. Keep all combustible materials a safe distance away from unit, please see section for clearances to combustibles.
13. For safety reasons never leave children unaccompanied while stove is in use.
14. Avoid contact with unit when in use as stove reaches very high operating temperatures.

**Before lighting the stove check with the installer that the installation work and commissioning checks described in the installation instructions have been carried out correctly and that the chimney has been swept clean, is sound and free from any obstructions. As part of the stoves commissioning and handover the installer should demonstrate how to operate the stove correctly.**

## LIGHTING

1. Before lighting the stove, ensure that any build up in the firebox has been removed (see De-Ashing Section) and that the ashpan has been emptied.
2. Open the firebox and cover the grate with crumpled pieces of paper.
3. Lay pieces of kindling on top of the paper towards the back of the fire box.
4. Open the primary air inlet by turning the primary air control knob to setting 4 (Fig.14).
5. Open the window wash control by pushing back the control rod situated at the top of the firedoor (See Fig.15).
6. Ignite the paper and close the firedoor.
7. **Under no circumstances should any flammable liquid i.e. petrol, paraffin etc., be used to light the fire.**
8. When the kindling is well alight, open the fire door and add more kindling of a larger size to sustain the fire.
9. Close the firedoor.
10. When a hot bed of fuel is established, add the normal fuel and adjust the thermostat to give the required heat output.

**Re-fuelling**-Open the firedoor, reload, and close the firedoor.

## DE-ASHING

When ash build-up becomes excessive in the fire chamber shake the firebars by inserting the operating tool into the round slot on the right side of the stove, twisting clockwise and anti-clockwise.

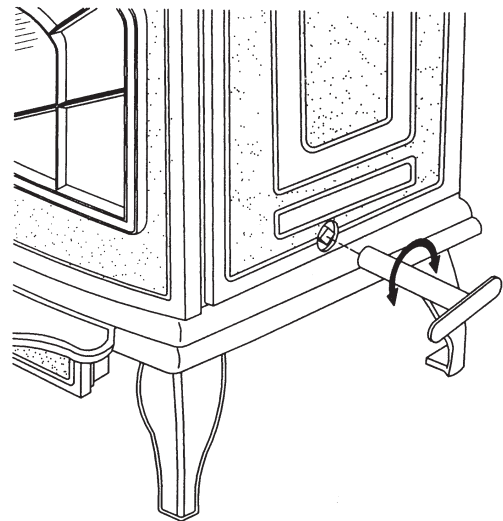


Fig.16

## DISPOSAL OF ASHES

The stove is provided with a steel ashpan. This ashpan must be emptied every day. If ashes are allowed to build up to grate level the firebars could be damaged by overheating. We recommend that you remove ashes after you have riddled the fire following an overnight burn.

**Note:** The stove should never be operated with the ashpit door open.

Ashes should be placed in a metal or other non-combustible container with a tight fitting lid. The closed container of ashes should be placed on a non-combustible material, pending final disposal. If ashes are buried in soil, or otherwise dumped they should be retained in the closed container until they are thoroughly cooled.

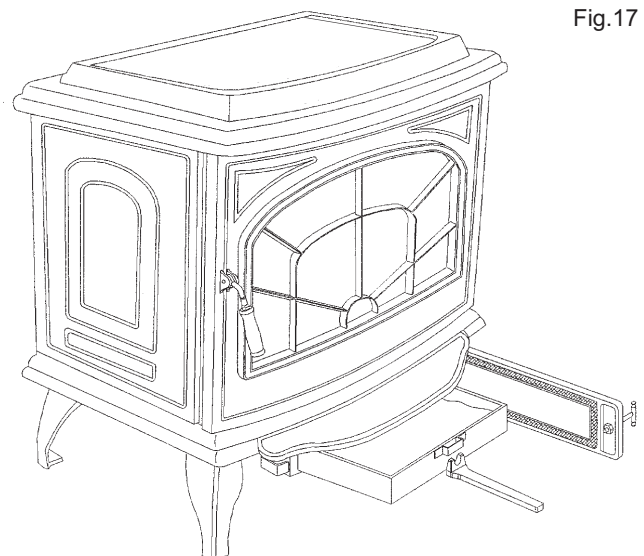


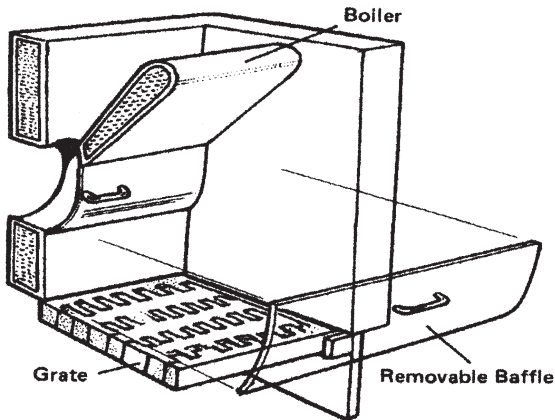
Fig.17

## TO CLEAN CHIMNEY OUTLET

### Boiler Model

Remove baffle underneath the boiler cross flow chamber by lifting it upwards and pulling it outwards and insert cleaning brush. Replace baffle before lighting fire.

Fig.18



### Non Boiler Model

Remove hob and place to one side, taking care not to damage the enamel finish. Remove the inner top by unscrewing the four 1/4" hex head bolts and insert the cleaning brush. Replace the innertop, ensuring that the rope on the bottom of the innertop has not moved out of position or been damaged. Replace the hob before relighting the fire.

#### WARNING NOTE:

Properly installed, operated and maintained this stove will not emit fumes into the dwelling. Occasional fumes from the de-ashing and re-fuelling may occur. However, persistent fume emission is potentially dangerous and must not be tolerated. If fume emission does persist, then the following immediate action should be taken:

- (a) Open doors and windows to ventilate room.
- (b) Let the fire out or eject and safely dispose of fuel from the stove.
- (c) Check for flue or chimney blockage and clean if required.
- (d) Do not attempt to relight the fire until the cause of the fume emission has been identified and corrected. If necessary seek expert advice.

The most common cause of fume emission is flue-way or chimney blockage. For your own safety these must be kept clean at all times.

## TO REPLACE DAMAGED GRATE OR GRATE BAR

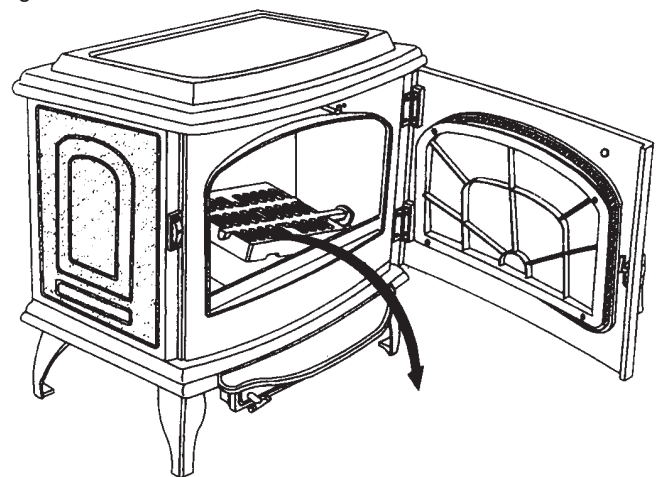
### BOILER MODEL

Remove the two sets of side firebricks and the front firebrick from the stove, taking care not to damage or break the bricks in the process. Tilt the grate assembly up on the left hand side, and pull towards the left hand side of the stove, until the front bar is clear of the right hand side of the stove (See Fig. 19). Remove the grate bars from the firebox and then remove the grate frame, replace the damaged part and reassemble the grate system by firstly replacing the grate frame, and the grate bars, and replacing finally the firebricks.

### NON - BOILER MODEL

Remove the front brick, the back brick, all the left hand side bricks and both small right side bricks from the stove, taking care not to damage or break any of the bricks in the process. Tilt the grate assembly up on the left hand side of the stove and pull towards the left side of the stove until the driven rocker bar is clear of the right hand firebricks. Remove the grate assembly from the firebox, replace the damaged part and reassemble the firebox by repositioning the grate assembly and then reposition all the firebricks.

Fig.19



### FIRE SAFETY

To provide reasonable fire safety, the following should be given serious consideration.

1. Do not over fire the stove.
2. Overfiring will also damage painted or enamel finish.
3. Install a smoke detector in the room.

## IN CASE OF FIRE

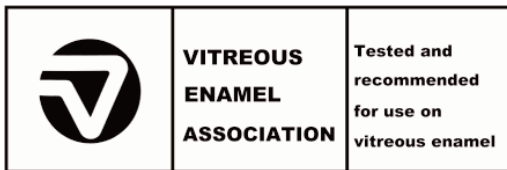
Close all openings into the stove and watch for ignition of adjacent combustibles from over heated stove, or hot embers or sparks from chimney.

## VITREOUS ENAMEL CLEANING

General cleaning must be carried out when the stove is thoroughly cool.

If this stove is finished in a high gloss vitreous enamel, to keep the enamel in the best condition observe the following tips:

1. Wipe over daily with a soapy damp cloth, followed by a polish with a clean dry duster.
2. For stubborn deposits a soap impregnated pad can be carefully used on the vitreous enamel.
3. Use only products recommended by the Vitreous Enamel Association, these products carry the Vitramel label.



4. **DO NOT USE ABRASIVE PADS OR OVEN CLEANSERS CONTAINING CITRIC ACID ON ENAMELLED SURFACES. ENSURE THAT THE CLEANSER MANUFACTURERS INSTRUCTIONS ARE ADHERED TO.**

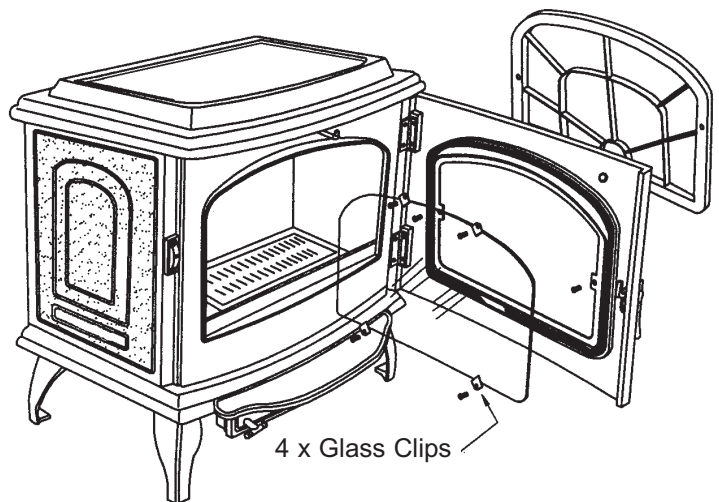
## GLASS CLEANING

The glass will self clean when there is sufficient heat generated by the burning fuel. If a build-up of creosote occurs on the glass it may be due to draft conditions, poor quality fuel or very low burning for a long time. It is best to clean the glass when it is thoroughly cooled.

## GLASS REPLACEMENT

- (a) Open the fire door fully.
- (b) Remove the screws and the four segments of the window frame and carefully remove the broken glass.
- (c) Clean the glass recess in the door.
- (d) Attach adhesive thermal tape to the perimeter of the replacement glass.
- (e) Place the thermal tape side of the glass into the door recess and replace the four segments of the window frame.
- (f) Tighten screws.
- (g) Replace glass only with ceramic glass 5mm thick. (See Fig.20)

Fig.20



## CO ALARM

Waterford Stanley recommend the fitting of a CO Alarm in the same room as the appliance, this is a requirement under UK Building Regulations. Further guidance on the installation of a carbon monoxide alarm is available in BS EN 50292:2002 and from the alarm manufacturers instructions.

**Provision of an alarm must not be considered a substitute for either installing the appliance correctly or ensuring regular servicing and maintenance of the appliance and chimney system.**

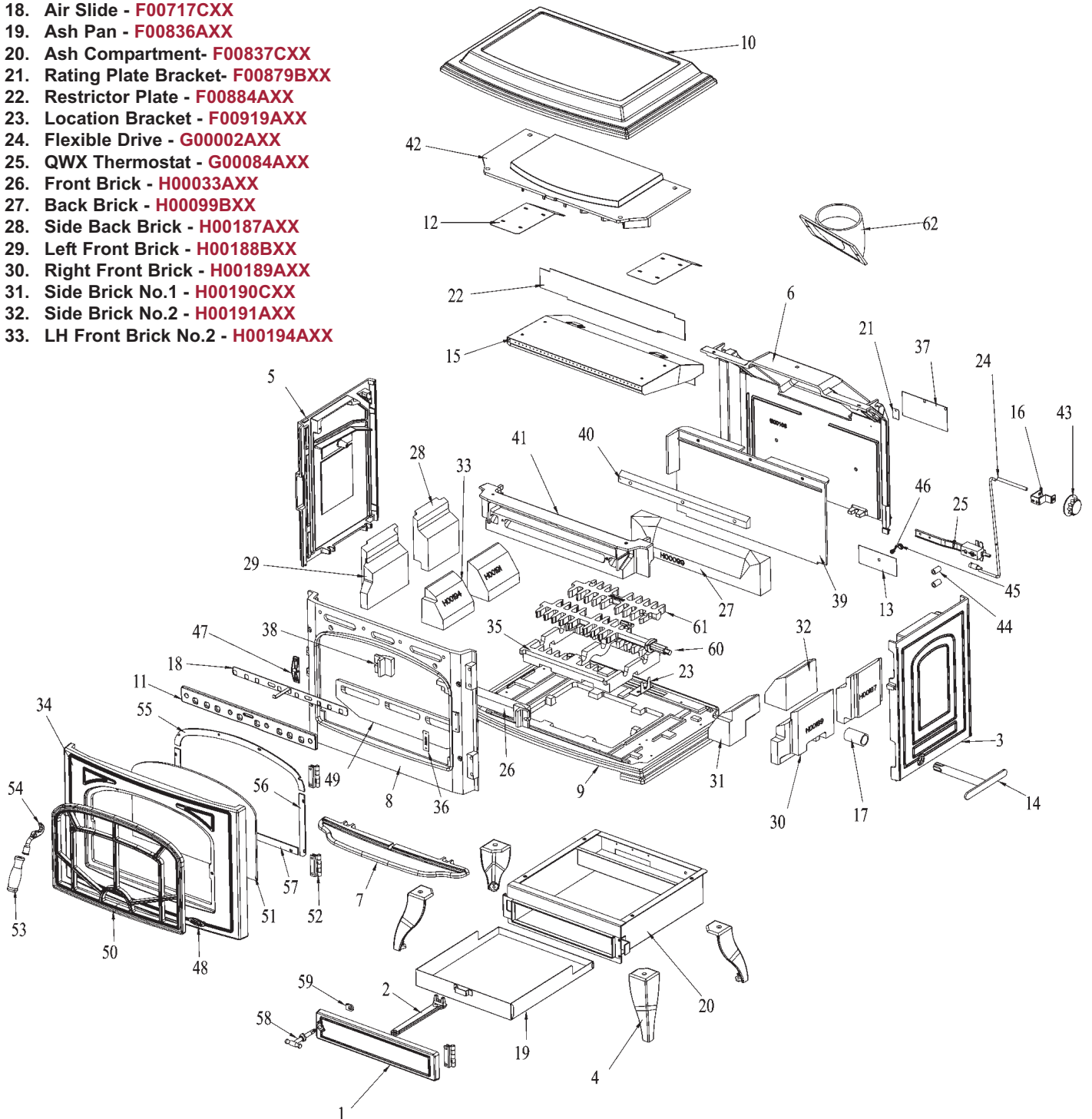
### **WARNING:-**

**If the CO Alarm sounds unexpectedly:-**

1. **Open Doors and windows to ventilate the room and then leave the premises.**
2. **Let the fire go out.**

## ASHLING SOLID FUEL EXPLODED VIEW - NON BOILER MODEL

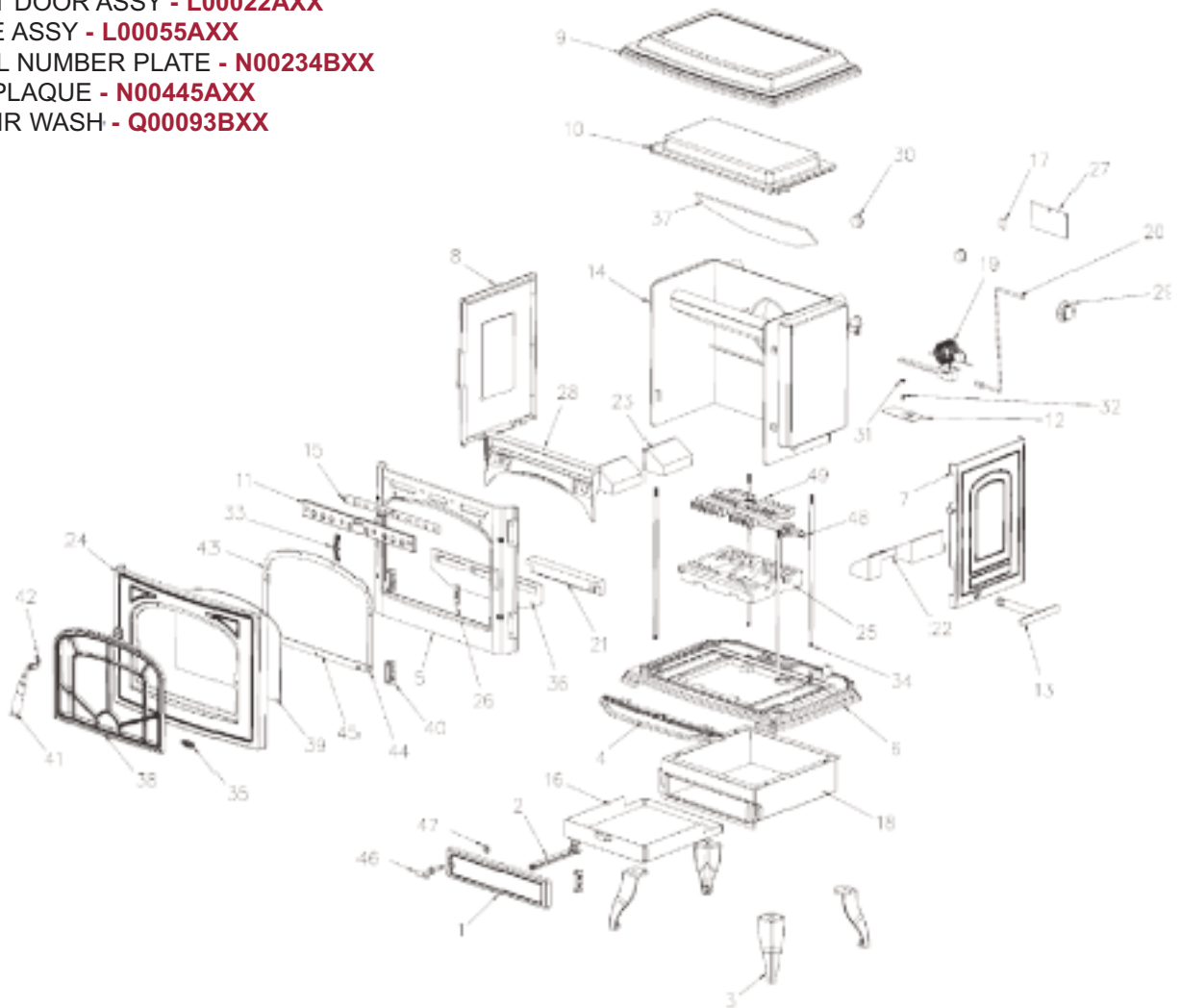
- |   |   |  |
|---|---|--|
| <ul style="list-style-type: none"> <li>1. Ash Door - <b>B00540AXX</b></li> <li>2. Operating Tool - <b>B00009DXX</b></li> <li>3. Right Hand Side - <b>B00051EXX</b></li> <li>4. Leg - <b>B00077BXX</b></li> <li>5. Left Hand Side - <b>B00104BXX</b></li> <li>6. Outer Back - <b>B00106CXX</b></li> <li>7. Ashtray Front - <b>B00114AXX</b></li> <li>8. Front Frame - <b>B00119CXX</b></li> <li>9. Base Panel - <b>B00255FXX</b></li> <li>10. Hob - <b>B00303DXX</b></li> <li>11. Airwash Casting - <b>B00575AXX</b></li> <li>12. Top Air Duct Wings - <b>F00008AXX</b></li> <li>13. Air Control Stat Plate - <b>F00021BXX</b></li> <li>14. Riddling Handle - <b>F00063AXX</b></li> <li>15. Top Air Duct - <b>F00088BXX</b></li> <li>16. Flexible Drive Bracket - <b>F00347AXX</b></li> <li>17. Shaker Bar Sleeve - <b>F00522AXX</b></li> <li>18. Air Slide - <b>F00717CXX</b></li> <li>19. Ash Pan - <b>F00836AXX</b></li> <li>20. Ash Compartment- <b>F00837CXX</b></li> <li>21. Rating Plate Bracket- <b>F00879BXX</b></li> <li>22. Restrictor Plate - <b>F00884AXX</b></li> <li>23. Location Bracket - <b>F00919AXX</b></li> <li>24. Flexible Drive - <b>G00002AXX</b></li> <li>25. QWX Thermostat - <b>G00084AXX</b></li> <li>26. Front Brick - <b>H00033AXX</b></li> <li>27. Back Brick - <b>H00099BXX</b></li> <li>28. Side Back Brick - <b>H00187AXX</b></li> <li>29. Left Front Brick - <b>H00188BXX</b></li> <li>30. Right Front Brick - <b>H00189AXX</b></li> <li>31. Side Brick No.1 - <b>H00190CXX</b></li> <li>32. Side Brick No.2 - <b>H00191AXX</b></li> <li>33. LH Front Brick No.2 - <b>H00194AXX</b></li> </ul> | <ul style="list-style-type: none"> <li>34. Front Door - <b>B00110BXX</b></li> <li>35. Grate Frame - <b>Z00010BXX</b></li> <li>36. Serial Number Plate - <b>N00234BXX</b></li> <li>37. Data Plaque - <b>N00444AXX</b></li> <li>38. Fire Fence Support - <b>Q00043BXX</b></li> <li>39. Back Panel - <b>Q00079CXX</b></li> <li>40. Top Air Duct Clamp - <b>Q00083AXX</b></li> <li>41. Air Wash Casting - <b>Q00092EXX</b></li> <li>42. Inner Top - <b>Q00706BXX</b></li> <li>43. Air Control Knob - <b>U00006AXX</b></li> <li>44. 25mm spacer - <b>V00006AXX</b></li> <li>45. Conical Spring - <b>V00024AXX</b></li> <li>46. Hank Bushing - <b>V00025AXX</b></li> <li>47. Door Catch - <b>V00048AXX</b></li> <li>48. Badge - <b>V00730BXX</b></li> </ul> | <ul style="list-style-type: none"> <li>49. Fire Fence - <b>Z00011BXX</b></li> <li>50. Door Grill - <b>B00111BXX</b></li> <li>51. Glass - <b>T00005BXX</b></li> <li>52. Hinge Cranked - <b>U00125AXX</b></li> <li>53. Door Handle Long - <b>U00009AXX</b></li> <li>54. Door Latch - <b>V00055AXX</b></li> <li>55. Glass Retainer Top - <b>F00045AXX</b></li> <li>56. Glass Retainer Side - <b>F00043AXX</b></li> <li>57. Glass Retainer Bottom - <b>F00044AXX</b></li> <li>58. Ash Door Handle - <b>U00016BXX</b></li> <li>59. Door Latch - <b>V00023AXX</b></li> <li>60. Driven Rocker Bar - <b>Z00008CXX</b></li> <li>61. Idle Rocker Bar - <b>Z00009BXX</b></li> <li>62. Flue Spigot - <b>B00116AXX</b></li> </ul> |
|---|---|--|





## ASHLING SOLID FUEL EXPLODED VIEW - BOILER MODEL

- |   |   |
|---|---|
| <ol style="list-style-type: none"> <li>1. ASH DOOR - <b>B00540AXX</b></li> <li>2. OPERATING TOOL - <b>B00009DXX</b></li> <li>3. LEG - <b>B00077BXX</b></li> <li>4. ASHTRAY FRONT - <b>B00114AXX</b></li> <li>5. FRONT FRAME - <b>B00119CXX</b></li> <li>6. BASE PANEL - <b>B00120BXX</b></li> <li>7. RIGHTHAND SIDE PANEL - <b>B00121BXX</b></li> <li>8. LEFTHAND SIDE PANEL - <b>B00122CXX</b></li> <li>9. HOB - <b>B00303DXX</b></li> <li>10. INNER TOP - <b>B00551AXX</b></li> <li>11. AIR WASH CASTING - <b>B00575AXX</b></li> <li>12. AIR CONTROL STAT PLATE - <b>F00021BXX</b></li> <li>13. RIDDLING HANDLE - <b>F00063AXX</b></li> <li>14. BOILER - <b>F00091FXX</b></li> <li>15. AIR SLIDE SUB-ASSEMBLY - <b>F00717CXX</b></li> <li>16. ASHPAN - <b>F00836AXX</b></li> <li>17. RATING PLATE BRACKET - <b>F00879BXX</b></li> <li>18. ASH COMPARTMENT - <b>F00899AXX</b></li> <li>19. THERMOSTAT - <b>G00001AXX</b></li> <li>20. FLEXIBLE DRIVE - <b>G00002AXX</b></li> <li>21. FRONT BRICK - <b>H00033AXX</b></li> <li>22. SIDE BRICK NO.1 - <b>H00034DXX</b></li> <li>23. SIDE BRICK NO.2 - <b>H00035BXX</b></li> <li>24. FRONT DOOR ASSY - <b>L00022AXX</b></li> <li>25. GRATE ASSY - <b>L00055AXX</b></li> <li>26. SERIAL NUMBER PLATE - <b>N00234BXX</b></li> <li>27. DATA PLAQUE - <b>N00445AXX</b></li> <li>28. BOX AIR WASH - <b>Q00093BXX</b></li> </ol> | <ol style="list-style-type: none"> <li>29. AIR CONTROL KNOB - <b>U00006AXX</b></li> <li>30. BOILER PLUG - <b>V00016AXX</b></li> <li>31. CONICAL SPRING - <b>V00024AXX</b></li> <li>32. HANK BUSHING - <b>V00025AXX</b></li> <li>33. DOOR CATCH - <b>V00048AXX</b></li> <li>34. STAY ROD - <b>V00063BXX</b></li> <li>35. BADGE - <b>V00730BXX</b></li> <li>36. FIRE FENCE - <b>Z00011BXX</b></li> <li>37. BOILER CLEANING DOOR - <b>Z00012AXX</b></li> <li>38. DOOR GRILL - <b>B00111BXX</b></li> <li>39. GLASS - <b>T00005BXX</b></li> <li>40. HINGE CRANKED - <b>U00125AXX</b></li> <li>41. DOOR HANDLE LONG - <b>U00009AXX</b></li> <li>42. DOOR LATCH - <b>V00055AXX</b></li> <li>43. GLASS RETAINER TOP - <b>F00045AXX</b></li> <li>44. GLASS RETAINER SIDE - <b>F00043AXX</b></li> <li>45. GLASS RETAINER BOTTOM - <b>F00044AXX</b></li> <li>46. ASHDOOR HANDLE - <b>U00016BXX</b></li> <li>47. DOOR LATCH - <b>V00023AXX</b></li> <li>48. DRIVEN ROCKER BAR - <b>Z00008CXX</b></li> <li>49. IDLE ROCKER BAR - <b>Z00009BXX</b></li> </ol> |
|---|---|



## INSTALLATION CHECK LIST

### *Flue System*

Tick

1. Minimum Flue Height of 4.6 metres (15 feet).
2. Appliance should be connected to a minimum of 1.8 metres (6 feet) of 150mm (6") flue pipe with a horizontal run not exceeding 150mm (6").
3. Appliance should be connected to a chimney of less than 200mm (8") in diameter (otherwise the chimney must be lined with a 6" flue liner).
4. The chimney venting position must be above the main ridge of the roof or adjacent outside obstructions.
5. The chimney serving this appliance should not serve any other appliance.
6. Access should be provided to the chimney serving the appliance to allow for cleaning.

### *Location*

7. Clearance to combustible materials must be adhered to as described in the Clearance to Combustible section.
8. The stove must be installed on a floor protector that covers the area under the stove and extends 18" to the front & 8" to the sides and back.

### *Plumbing*

9. Appliance must be connected to a gravity circuit using 1" ID flow & return piping.
10. The length of pipes from the cylinder to the cooker should not exceed 7.8 metres (25<sup>1</sup>/<sub>2</sub> feet).
11. A circulation pump should be fitted to the return pipe of the radiator circuit and controlled by a pipe stat fitted to the flow pipe of the gravity circuit to the cylinder.

### *Ventilation & Combustion Air Requirements*

12. The room in which the appliance is located should have an air vent of adequate size to support correct combustion (see Ventilation & Combustion Air Requirement Section for specific details).



## STANLEY SOLID FUEL STOVE WARRANTY

### CONDITIONS OF WARRANTY

Your Stanley Solid Fuel Stove is guaranteed against any part that fails (under normal operating conditions) as detailed in the following table with timelines specified from the date of installation of the appliance. If the unit is not installed within six months of date of purchase, the warranty will commence six months from the date of purchase.

Warranty Period	Parts Covered (Parts & Labour unless Stated)
Up to 1 Year	<ul style="list-style-type: none"> <li>• Refractory materials (supply only)</li> <li>• Rope seals, glass seals and cement seals.</li> <li>• Surface Finish on Seno models.</li> <li>• Grates and fire bars.</li> <li>• Ceramic glass is covered for Thermal breakage (supply only).</li> <li>• Rust (if reported before installation)</li> <li>• Aesthetic Damage (provided reported on date of receipt)</li> </ul>
Up to 5 Years	<ul style="list-style-type: none"> <li>• All external castings &amp; enamel finishes (excluding impact damage or damage caused by overfiring). Pictures of damage must be submitted to WS Service Department.</li> </ul>
Up to 3 Years	<ul style="list-style-type: none"> <li>• Boiler - A Leaking Boiler Report must be conducted by an Authorised Stanley Service Engineer and submitted to WS Service Department for review.</li> </ul>

The warranty is given only to the original consumer/purchaser only and is non-transferable. The appliance must be installed by a suitable qualified person and installed as per the requirements of the manual. Failure to comply with the installation requirements will void your warranty. Waterford Stanley reserve the right to replace any part due to manufacturing defect that fails within the warranty period under the terms of the warranty. The unit must be used for normal domestic purposes only and in accordance with manufacturer's operation instructions.

### LIMITS OF LIABILITY

The warranty does not cover:

- \* Special, incidental or consequential damages, injury to persons or Property, or any other consequential loss.
- \* Any issue caused by negligence, misuse, abuse or circumstances beyond Waterford Stanley's control.
- \* Any issue with wear and tear, modification, alteration, or servicing by anyone other than an authorized service engineer.
- \* Installation and operational related problems such as draught related issues external to the stove, inadequate venting or ventilation, excessive flue offsets, negative air pressure caused by insufficient burning of improper fuel.
- \* Damage caused to the unit while in transit.
- \* Enamel discolouration due to over firing, enamel damage caused by impact, damage to baffles caused by over firing and fading of surface finish on casting.
- \* Stress fractures on bricks.
- \* Rust on cast iron parts unless reported prior to unit being installed.
- \* Aesthetic damage, rust & missing parts on units purchased off display.

**Note:** Adequate clearance must be maintained around the appliance to ensure the ease of part removal in the possible event of their damage/failure. Waterford Stanley are not responsible for any costs incurred in the removal of items installed in the vicinity of the appliance that have to be moved to facilitate a part replacement.

All warranty claims must be reported to the Waterford Stanley Service Department and must be submitted with the product serial number (located on the front casting), date of purchase, proof of purchase (if requested) and details of the specific nature of the problem.

---

## NOTES



**Manufactured by**  
**Waterford Stanley Ltd.,**  
Unit 401-403, IDA Industrial Estate, Cork Road,  
Waterford, Ireland.  
Tel: (051) 302300 Fax (051) 302315  
[www.waterfordstanley.com](http://www.waterfordstanley.com)

