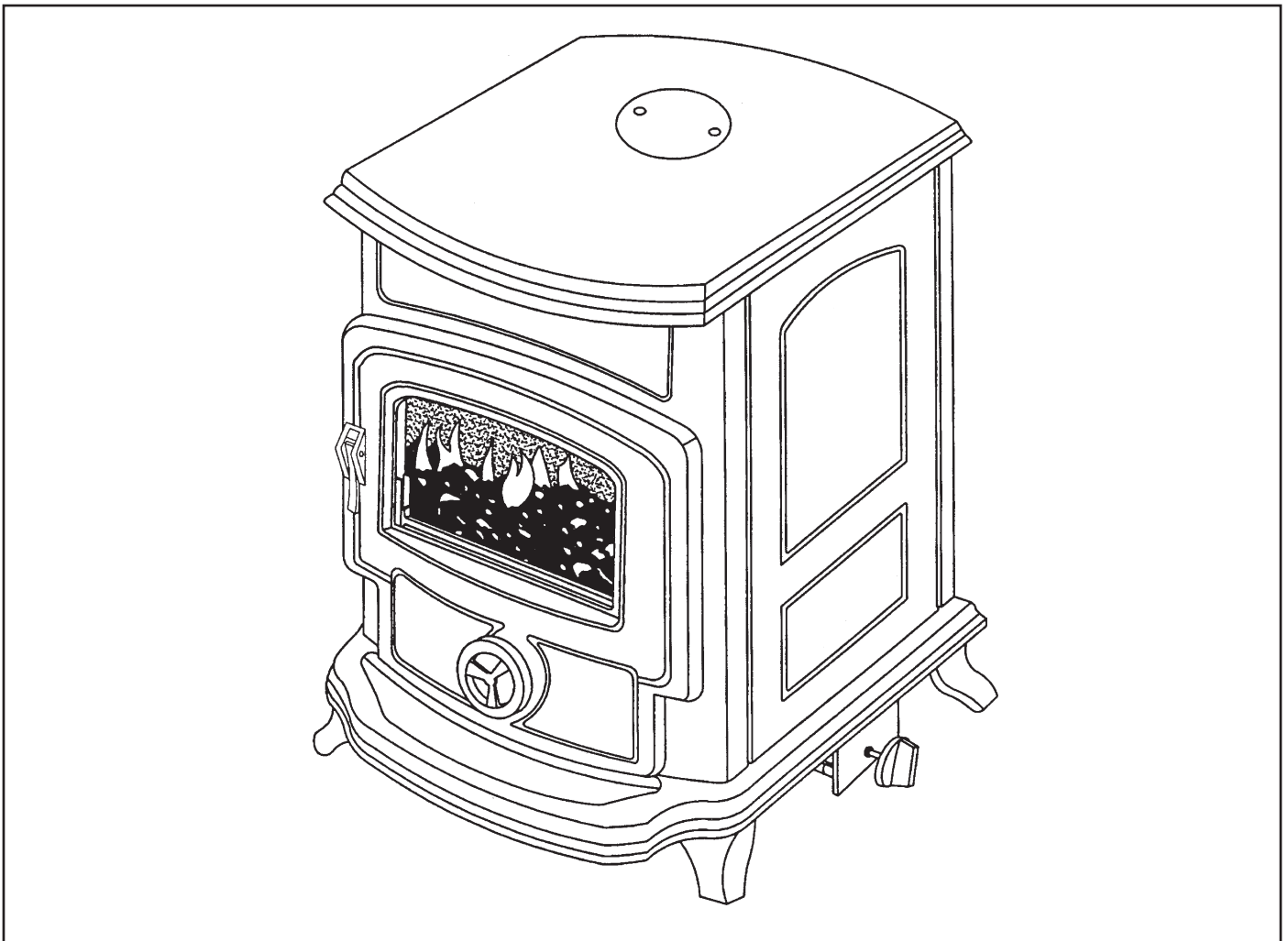




OISIN MK II GAS STOVE



This appliance is hot while in operation and retains its heat for a long period of time after use. Children, aged or infirm persons should be supervised at all times and should not be allowed to touch the hot working surfaces while in use or until the appliance has thoroughly cooled.

INSTALLATION AND OPERATION INSTRUCTIONS

To ensure safety, satisfaction and reliable service **this stove should be installed by a suitably qualified and competent person.**

TABLE OF CONTENTS

| | PAGE NO. |
|--|----------|
| 1. Operation Instructions | 2 |
| 2. Precautions | 2 |
| 3. Lighting | 2 |
| 4. What to do if you smell gas | 3 |
| 5. Vent Safety Shut Off Switch | 3 |
| 6. Technical Data | 4 |
| 7. General | 4 |
| 8. Pre-Installation Assembly | 5 |
| 9. Location. | 5 |
| 10. Minimum Clearances to Combustibles | 5 |
| 11. Hearth Fitting. | 6 |
| 12. Chimney's/Flues | 6 |
| 13. Suitable Materials | 7 |
| 14. Use of Existing Chimney's and Flues | 7 |
| 15. Factory-Made Insulated Chimneys | 8 |
| 16. Ventilation & Combustion Air Requirements. | 8 |
| 17. Gas Pipes & Fittings | 8 |
| 18. Meters | 8 |
| 19. Pipe Size. | 8 |
| 20. Connection to Gas Supply | 8 |
| 21. Gas Soundness Testing | 9 |
| 22. Placement of Coals | 9 |
| 23. Lighting. | 10 |
| 24. Burner Lighting. | 11 |
| 25. Spillage Test. | 11 |
| 26. Pilot Flame | 11 |
| 27. Maintenance. | 11 |
| 28. Removal of Burner. | 11 |
| 29. Changing of Burner Injector Orifice | 12 |
| 30. Removal of Pilot Burner. | 12 |
| 31. Enamel Cleaning | 12 |
| 32. Trouble Shooting Guide | 13 |
| 33. Installation Check List | 14 |

OPERATION INSTRUCTIONS

WARNING: Do not operate the stove with the appliance door open, or if the glass panel in the front door has been broken or removed. Ensure that the door latch is fully locked. Keep the door spin valve closed at all times when stove is in operation.

PRECAUTIONS

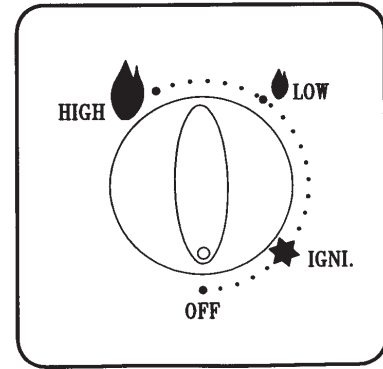
1. Do not touch any part of the stove while in operation, except the controls.
2. Children and adults should be alerted to the hazards of surface temperatures.
3. Guards may be required to take account of the special hazards that exist in nurseries and other places where there are young children, aged or infirm persons.
4. Curtains or other combustible material should not be positioned on/or above the appliance at a distance less than 38" (965mm).
5. Do not use this appliance if any part has been under water, immediately call a qualified service technician to inspect the appliance and to replace any part of the gas control or system which has been under water.
6. Do not store gasoline or other flammable liquids having flammable vapours near this stove.
7. Tools must not be used to turn or operate the valve control knob.
8. Use only in a sufficiently ventilated space.
9. This appliance must be installed in accordance with the rules in force.
10. Read the label and manual provided before commencing to install or attempting to operate the stove.

Failure to do so may result in property damage or personal injury.

LIGHTING

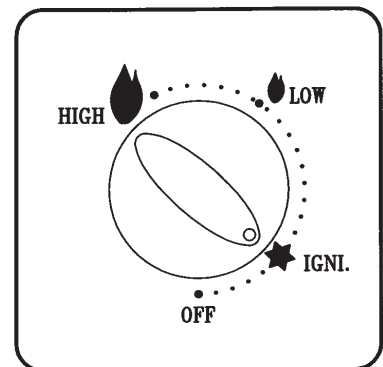
1. The stove control knob is located at the bottom right hand side looking from the front.
2. The valve is in the off position when the control knob symbol "OFF" is at the datum point and there is no gas to the pilot or main burner. The knob can only be turned in a clockwise direction to reach the "OFF" position. (see fig.1)

Fig. 1



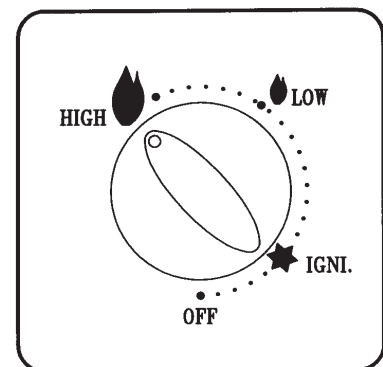
3. Press the control knob all the way in and turn anti-clockwise until you hear a clicking sound.
4. Keep the control knob pressed for 15-30 seconds, and then release. If the pilot fails to remain lighting repeat this action.
5. With the pilot burner lighting, to establish the flame hold the control knob in the fully pressed position with dot pointing towards ignition. (see fig. 2)

Fig. 2



6. To light the main burner, fully release the control knob and turn anti-clockwise to the required setting. (see figs. 3&4)

Fig. 3



High Flame Setting

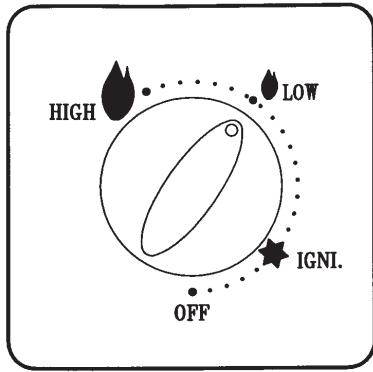


Fig.4

Low Flame Setting

7. To turn off the main burner, turn the control knob in a clockwise direction to low flame. (see fig. 4)

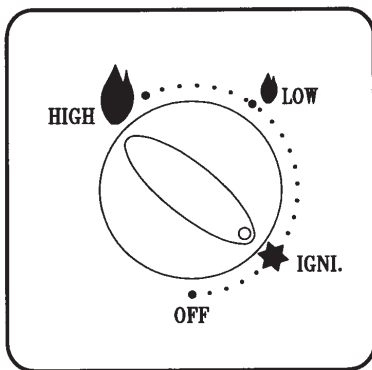


Fig. 5

8. While pressing the control knob continue to turn in a clockwise direction until it stops. The stove is now off. (see figs. 5&6)

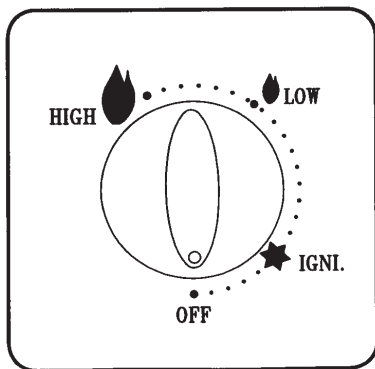


Fig. 6

NOTE: During the first light-up period an odour will arise from the stove, this is due to the materials in the stove drying and curing. It is advisable to open a door or window to give extra ventilation to the room until the odour has gone.

WHAT TO DO IF YOU SMELL GAS

- A. Turn off the gas mains.
- B. Do not try to light any appliance.
- C. Do not touch any electrical switch.
- D. Open windows.
- E. Do not use any phone in the building.
- F. Immediately call your gas engineer from a neighbours phone.
- G. If you cannot reach your gas supplier, call the Fire Department.

VENT SAFETY SHUT OFF SWITCH

The vent safety shut off switch location is designed to shut down the stove when exposed to excessive temperatures due to severe down draughts, blocked flues or negative pressure due to a fresh air shortage. It must not be disconnected or isolated in any way.

WARNING: Not to be isolated or adjusted. Parts to be replaced with identical and/or equivalent original parts.

What to do if the vent safety shut off switch continually goes off:

- A: Wait for 4 minutes after shut down.
- B: Refer to these lighting instructions for lighting procedures.
- C: If stove fails to light repeat the above procedures.
- D: If stove fails to light after three attempts contact your local Stanley Dealer.

OISIN MK II GAS STOVE TECHNICAL DATA

Pressure Setting From Cold

| | |
|--|-----------------|
| Natural Gas Inlet Pressure | = 8"/20mbar |
| Inlet Pressure | |
| Propane | = 14.8"/37 mbar |
| Butane | = 11.6"/29 mbar |
| Product Identification No.: | 0063 AS 5164 |
| Appliance Category | BIIBS |
| Country of Designation: | IE, GB, FR & BE |
| Gas Types: | |
| L.P.G.: Propane I3+, G31, 37 mbar/14.8"wg or | |
| Butane: I3+, G30, 29 mbar/11.6" wg & | |
| G31, 37 mbar/14.8" wg. | |
| N.G.: I2H, G20, 20 mbar/8" wg (IE & GB) | |
| I2E, G20, 20 mbar/8" wg & | |
| G25, 25 mbar/10" wg (FR & BE) | |

Manifold Pressure Maximum Setting

| | |
|-------------|------------------------------|
| Natural Gas | = 7.4"/18.5 mbar |
| L.P.G. | = Propane: = 14.6"/36.5 mbar |
| | = Butane: = 11.4"/28.5 mbar |

Manifold Pressure Minimum Setting

| | |
|-------------|---------------------------|
| Natural Gas | = 1.1"/2.7 mbar |
| L.P.G. | = Propane = 3.2"/8.1 mbar |
| | = Butane = 3.2"/8.1 mbar |

Gross Input

| | |
|------------------------|------------------------|
| Max. Input Natural Gas | = 5.3kW/18,084 Btu's/h |
| Min. Input Natural Gas | = 1.5kW/5,118 Btu's/h |

| | |
|-------------------|------------------------|
| Max. Input L.P.G. | = 5.0kW/17,060 Btu's/h |
| Min. Input L.P.G. | = 2.3kW/7,848 Btu's/h |
| Efficiency: | = Class 2 |

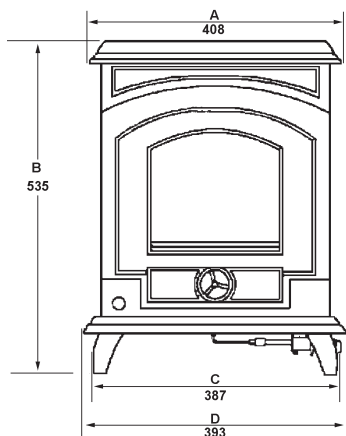
Gas Flow Rates at 15°C, 1,013mbar in relation to gross calorific value of gas.

| | |
|------------------------|--|
| Natural Gas gross | |
| Calorific Value | = 37.78 MJ/m ³ |
| Maximum flow rate | = 0.505 m ³ /hr |
| Minimum flow rate | = 0.143 m ³ /hr |
| L.P.G. Gross Calorific | |
| Value | = 95.65 MJ/m ³ (Propane) |
| | = 125.81 MJ/m ³ (Butane) |
| Maximum flow rate | = 0.1955 (Propane) |
| | = 0.1487 (Butane) |
| Minimum flow rate | = 0.0865 (Propane) |
| | = 0.0658 (Butane) (m ³ /hr) |

Burner: CPD Gas Burner

Burner Injectors:
Stereomatic 300 - N.G.

Ignition: Piezo Igniter



STOVE WEIGHT - 138lbs / 62.5 kilos



GENERAL

WARNING: Installation, commissioning, repair and maintenance should only be undertaken by a qualified service technician and installer.

Any adjustments undertaken by unqualified individuals will void the product warranty and may result in property damage or injury.

Thank you for buying a Stanley Oisin Mk II Gas Stove. The room heater and flue system should be inspected before use and at least annually. More frequent cleaning may be required due to excessive lint from carpeting, matting material, etc. It is imperative that control compartments, burners and circulating air passageways of the room heater are kept clean.

The complete installation must be done in accordance with current Standards and Local Codes. It should be noted that the requirements and these publications may be superseded during the life of this manual.

NOTE: Before installation, check that the local distribution conditions, nature of gas and pressure, and adjustment of the appliance are compatible.

When installing, operating and maintaining your Stanley Oisin MK II Gas Stove, respect basic standards of safety. Read these instructions carefully before commencing installation or attempting to operate your stove. Failure to do so may result in damage to property or personal injury and may void the product warranty.

It is important to note that once a type of gas has been specified the stove cannot run off any other type of gas. (i.e. Natural Gas or L.P.G.)

The burner units are not interchangeable between Natural Gas or L.P.G.

Republic of Ireland Installation

Install in accordance with the:

- * Building Regulations Part J.
- * I.S. 813 - Domestic gas installations.
- * I.S. 265 - Part 1 & 2 - Installation of gas service pipes.
- * I.S. 327 1990 - Domestic Installation using liquidified petroleum gases.

U.K. Installation

Install in accordance with the:

- * The Gas Safety (Installation and Use) Regulations 1998 (as amended).
- * BS 5440: Parts 1 & 2, Installation & maintenance of flues and ventilation for gas appliances of rated input not exceeding 70 kW (1st, 2nd & 3rd family gases).

- * **B.S. 5871: Parts 1, 2 & 3, Specification for installation of gas fires, convector heaters, fire/back boiler and decorative fuel effect gas appliances.**
- * **Building Regulations for Britain, Scotland, Wales and Northern Ireland.**

This appliance has been tested and approved in accordance with the essential requirements of Annex 1 in the Gas Appliance Directive (90/396/EEC) as amended.

PRE- INSTALLATION ASSEMBLY

Before installing the appliance carry out the following pre-installation assembly:

1. Open the fire door (item 9), and remove the package of ceramic coals. (See Fig.7 & 7a)

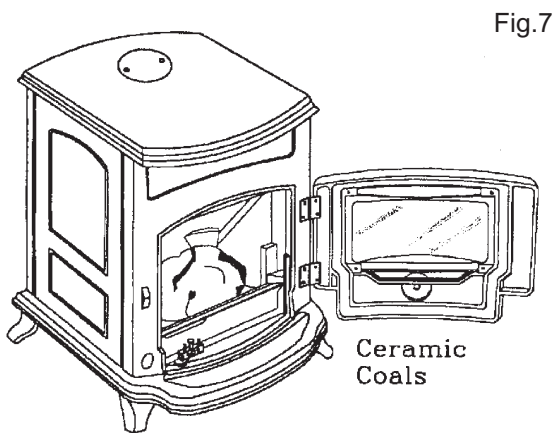


Fig.7

2. This stove may be connected to either a top

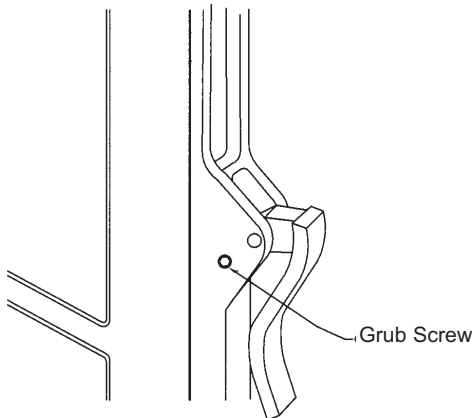


Fig.7a

IMPORTANT: To open door remove grub screw (see Fig.7a). Ensure Grub screw is replaced securely before lighting stove.

or rear flue outlet. The stove has a rear flue outlet configuration factory fitted. It may be changed to a top flue outlet by simply switching the blanking cap and flue collar as shown in Fig. 8 & 9.

Fig.8

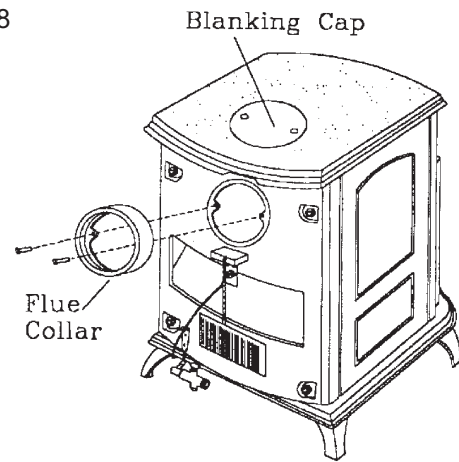
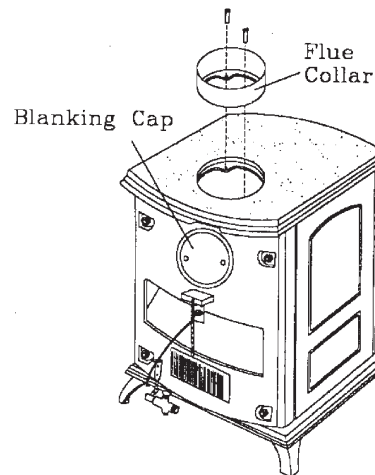
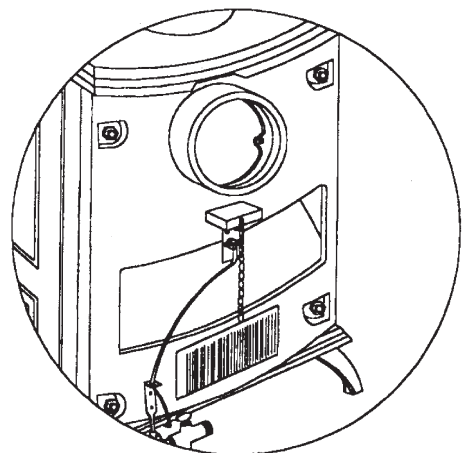


Fig.9



3. Ensure the leads to the vent safety shut off switch located on the back of the stove are connected and secure. (See Fig. 10).

Fig.10



4. Position stove in its chosen location and connect to the chimney/flue system.

LOCATION

There are many conditions to be considered when selecting the location for you Oisin MK II Gas Stove.

MINIMUM CLEARANCES TO COMBUSTIBLE

CAUTION: Allow adequate clearances for stove operation and annual servicing e.g. burner removal and injector removal.

MATERIALS (see figs 11, 12, 13, 14)

- Back wall 6" (150mm)
- Left side wall looking from front 5" (125mm)
- Right side wall looking from front 5" (125mm)
- Alcove or mantle from top of unit 18" (459mm)
- From Corner 5" (125mm)

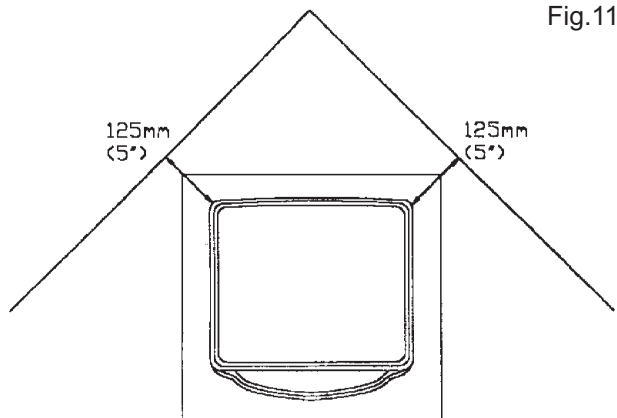


Fig.11

When installing the stove against a combustible wall leave a 6" space between the back of the stove and the wall for air circulation. (See Fig.12)

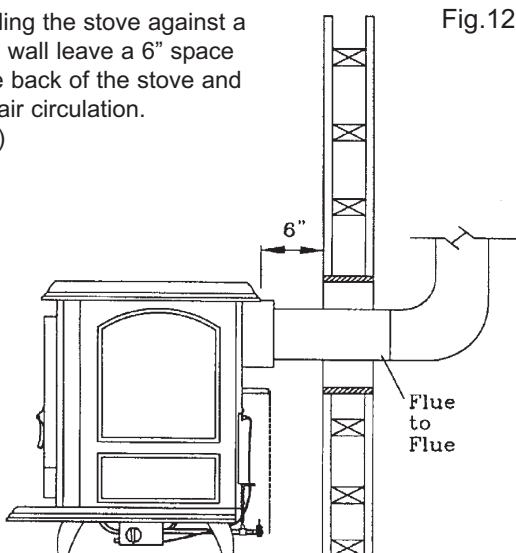


Fig.12

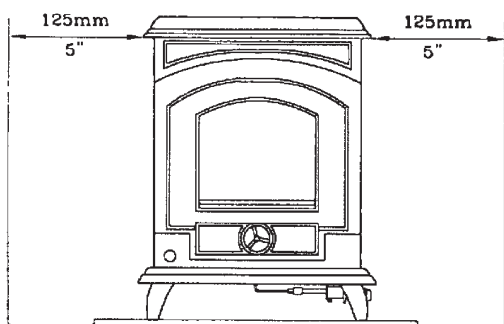


Fig.13

Fig.14

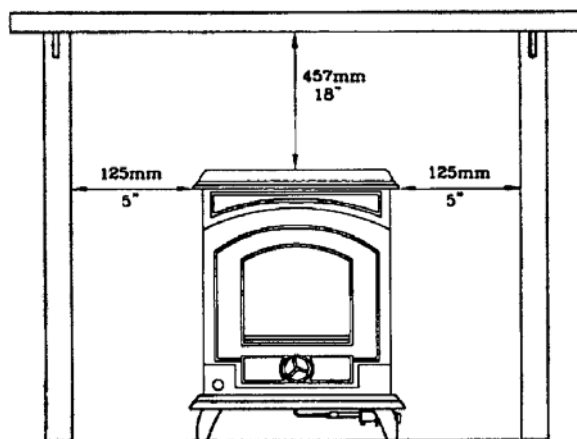
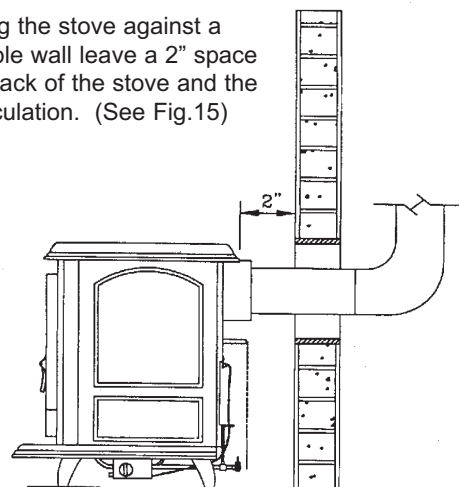


Fig.15

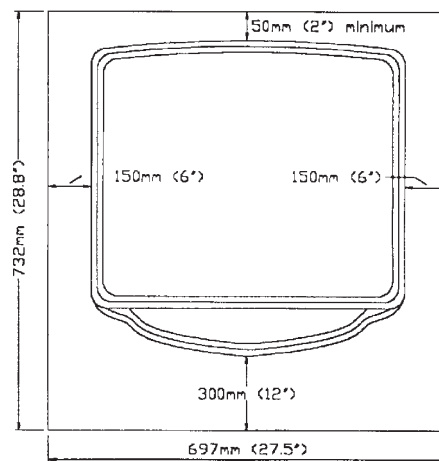
When installing the stove against a non-combustible wall leave a 2" space between the back of the stove and the wall for air circulation. (See Fig.15)



HEARTH FITTING

This stove MUST be installed on a concrete constructional hearth, or on a non-combustible hearth slab, minimum size 27.5" (500mm) x 28.8" (732mm) deep with the fire place opening centrally located. The hearth material should be at least 13mm (1/2") thick, the top surface being preferably 50mm (2") above floor level to discourage the placing of carpets over it. (see fig.16)

Fig.16



CHIMNEY'S / FLUES

If connecting to a rear exit configuration the horizontal run should not exceed 300mm (12") from the stove outlet. (see fig.17)

The height of the chimney or flue serving this appliance should not be less than 3 meters (36"), and not more than 11 meters (36'), measured vertically from the outlet to the top of the flue terminal and having a diameter of 125mm (5").

Note: Never connect to a chimney or flue system serving another appliance.

WARNING: Only operate this appliance if connected to a properly installed and maintained chimney system. Do not tamper with the vent safety shut-off system.

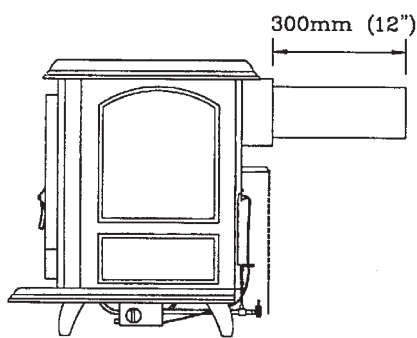


Fig.17

The chimney and flue pipes intended for use with this appliance should be mechanically robust, resistant to internal and external corrosion, non-combustible, and durable under the conditions to which they are likely to be subjected. The installation of flues for gas appliances should be in accordance with the following standard:

- * BS 5440 Installation & maintenance of flues and ventilation for gas appliances of rated input not exceeding 70kW (1st, 2nd & 3rd family gases).
Part 1: - Specification for installation of flues.
Part 2: - Specification for installation & maintenance of ventilation of gas appliances.
- * B.S. 5871: Parts 1, 2 & 3, specification for installation of gas fires, convector heaters, fire/back boiler and decorative fuel effect gas appliances.

SUITABLE MATERIALS

- * Mineral Fibre cement pipes conforming to B.S. 567.
- * Sheet metal conforming to B.S. 715.
- * Insulated metal chimney's conforming to B.S. 4543 (a galvanised finish is not suitable).

- * Clay flue linings conforming to I.S. 51 & B.S. EN 1457 1999.
- * Pre-cast concrete chimney blocks, incorporated into the building structure. It is particularly important that the correct connection block be provided at the base of the flue, B.S. 1289.
- * Cast iron or acid resistant vitreous enamelled lined mild steel to B.S. 41.

Where twin wall pipes are of sheet metal construction the length of pipe located externally should not exceed 1m (3'3") unless it is readily accessible for renewal.

USE OF EXISTING CHIMNEYS AND FLUES

(See Figs. 18, 19 & 20)

An existing flue pipe or chimney that has proved to be satisfactory when used for solid fuel can normally be used for a gas appliance provided that its construction and condition is acceptable. Flues that have proved to be unsatisfactory, particularly with regard to down draught, should not be used for venting gas appliances until they have been examined and any faults corrected. If there is any doubt regarding an existing chimney a smoke test to B.S. 5440: Part 1 should be carried out.

Before connecting this appliance to a chimney or flue pipe which has previously been used with another fuel, the chimney or flue pipe must be thoroughly swept.

All register plates, restrictor plates, dampers etc. which could obstruct the flue at a future date should be removed before connecting this appliance.

Note: A flue spigot extension of up to a maximum total length of 300mm (12") may be fitted if necessary, provided a minimum clearance of 50mm (2") between its open end and the nearest obstruction is always provided.

Note: It may be necessary to reline the flue in order to help avoid spillage. (see Figs. 19 & 20).

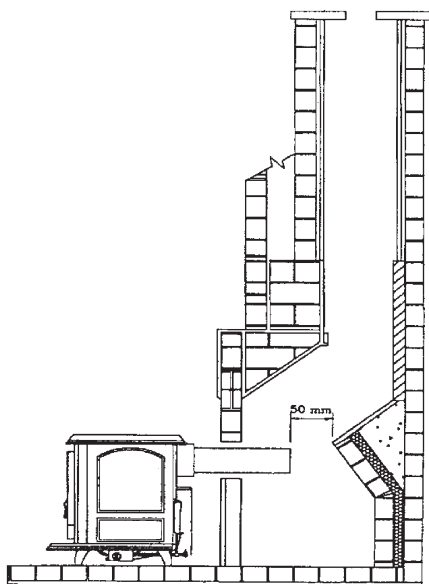


Fig.18

FACTORY-MADE INSULATED CHIMNEY'S

Factory-made insulated chimneys must be constructed and tested to meet the relevant standards and recommendations given in:

- * B.S. 7566: Installation of factory made chimney's conforming to B.S. : 4543 for domestic appliances.
 - Part 1: Method of specifying installation design information.
 - Part 2: Specification for installation design.
 - Part 3: Specification for site installation.
 - Part 4: Recommendation for installation design and installation.

VENTILATION & COMBUSTION AIR REQUIREMENTS

This stove has a heat input of less than 7 kW and therefore does not normally require any additional ventilation. However, consideration must be given to the local rules in force.

- * Any air vent must either be connected direct to an outside air supply or to adjacent rooms having a permanent vent to the outside.
- * If there is another combustion appliance fitted in the same or adjacent room, it will be necessary to refer to the rules in force to calculate the additional air supply.
- * If there is an air extraction fan fitted in the room or adjacent rooms where this appliance is fitted, additional air vents may be required to alleviate the possibility of spillage of products of combustion from the appliance/flue while the fan is in operation. Refer to the rules in force.
- * Where such an installation exists, a test for spillage should be made with the fan or fans and other gas burning appliances in operation at full rate.
- * If spillage occurs following the above operation, an additional air vent of sufficient size to prevent this occurrence should be installed.

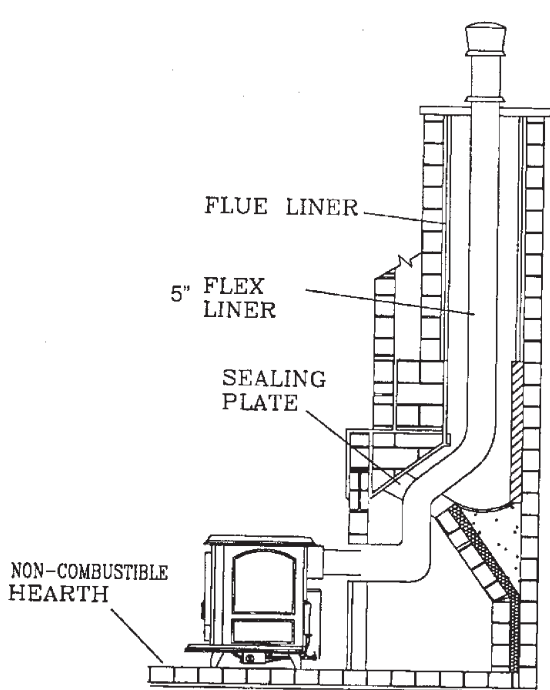


Fig.19

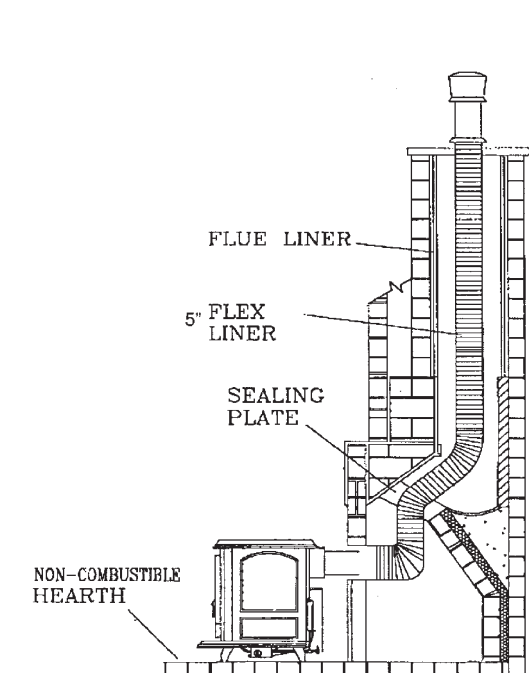


Fig.20

GAS PIPES & FITTINGS

Materials used for installation work should be fire resistant and gas tight and should conform to the following or their equivalent.

- * I.S. 238, I.S. 239 and prEN 1057 - Copper tubes.
- * I.S. 265 - Installation of gas service pipes.
- * I.S. 266 - Polyethylene pipes.
- * EN 29453 & I.S.O. 9453 - Soft Solders.

- * B.S. 669 - flexible hoses, fittings & sockets.
- * B.S. 759 - valves, gauges and other safety equipment.
- * B.S. 1387 - Steel tubes.
- * B.S. 6362 - stainless steel tubes.
- * B.S. 1740 - Wrought steel pipes.
- * B.S. 4089 - L.P.G. hoses and assemblies.

METERS

A suitable gas meter must be connected to the service pipe either by a representative of the gas board or by an appointed contractor. If using an existing meter have it checked to ensure that the meter is capable of dealing with the total rate of gas needed.

GAS PIPE SIZE

It is important that the correct service pipe size be used for adequate gas supply. This depends on the distance between the supply meter and the appliance relative to the input requirements. The gas supply to the appliance should be terminated near the appliance with an approved safety type service tap.

CONNECTION TO GAS SUPPLY

The gas control is located at the bottom right hand side of the unit. Check that the mains gas supply pipe is adequately sized and capable of supplying enough gas to the appliance when operating on max. rate.

WARNING: Before connecting the stove make sure the gas supply pipe is clear of grit and debris as this will cause blockage within the stove control, pilot burner, injectors and pipework. Failure to do so may void product warranty.

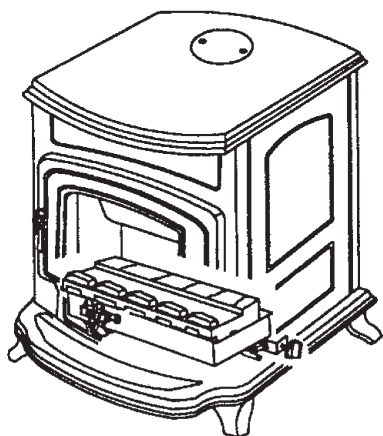


Fig.21

WARNING: To avoid pipe sealing compounds from entering into the gas train, do not apply sealing compound to the first two threads at the tip of the gas connection.

Fig.22

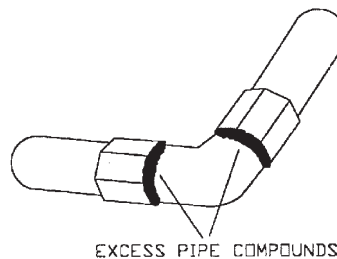
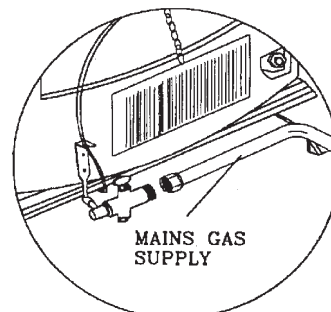


Fig.23



NOTE: Clean off any excess pipe compounds from connections.

WARNING: Only connect to gas type indicated on the rating plate.

GAS SOUNDNESS TESTING

Gas soundness testing should be in accordance with I.S. 813 (I.E.) and B.S. 6891 (U.K.). Correct gas pressure and proper gas supply pipe sizing is important for the successful performance of this appliance. Make sure that the plumber or gas supplier checks the gas supply line and gas pressure at installation.

CAUTION: The appliance must be isolated from gas supply system during any gas soundness testing at pressures in excess of 50 mbar.

After testing gas supply pipe work, open isolation valve to stove and carry out gas soundness testing at normal working pressure 20 mbar for natural gas and 29 to 37 mbar for LPG models.

With stove lighting carry out a leak test downstream of control using gas leak detection fluid.

CAUTION: If using a gas leak detection fluid for leak testing DO NOT spray solution onto control body.

PLACEMENT OF COALS

WARNING: The ceramic coals supplied with this stove are extremely durable and long lasting when fitted properly. They are, however, very delicate and can be easily damaged if they are not handled very carefully.

Handling damage to the ceramic coals is not covered by warranty.

1. Before positioning the coals in the combustion chamber, check for dust particles and grime, vacuum if necessary. Position the coals as per instructions as incorrect placement will effect the performance of the stove. Dust off the inside of the door glass using a clean dry cloth. (see Fig.24)

Note: Exhibit care when cleaning the burner to avoid blockage or damage of burner parts.

2. Lay the gasket material provided, on the burner with the holes in the burner lined up with the holes in the gasket.
3. Lay the ceramic matrix on the burner with the holes in the burner lined up with the holes in the ceramic. (see Fig. 25)

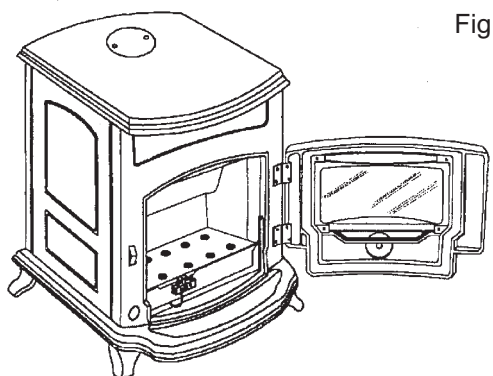


Fig.24

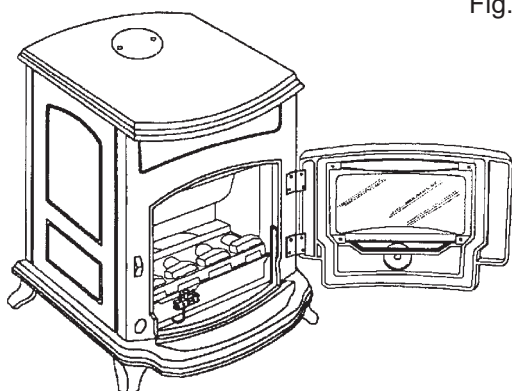
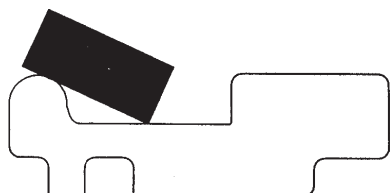
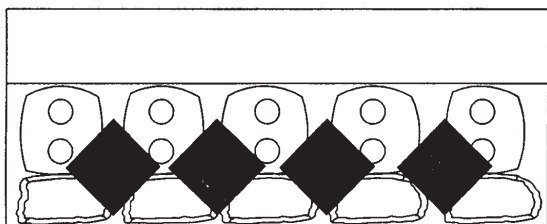


Fig.25

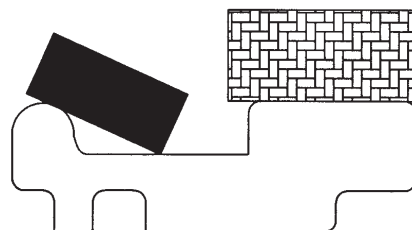
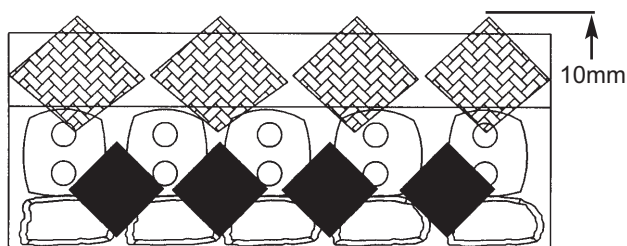
4. Place 4 medium coals on the front of the matrix with their corners touching and also one corner of each coal resting on a spar. (see Fig.26)

Fig.26



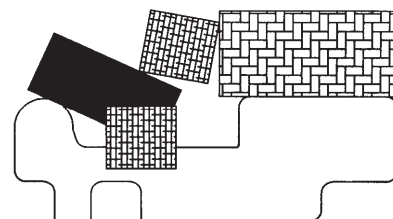
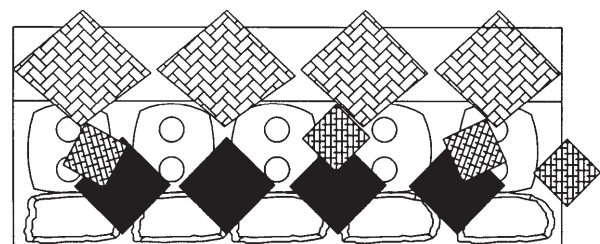
5. Place 4 large coals on the rear of the matrix with their corners touching. The front corner should over hang the back section of the matrix by approximately 10mm. (See Fig. 27)

Fig.27



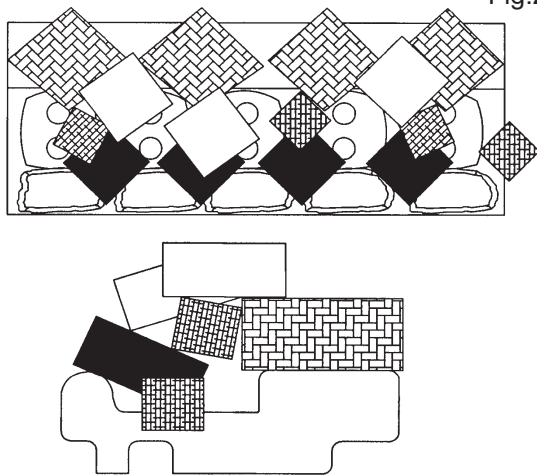
6. Place 3 small coals on 3 of the medium coals leaving one corner of the small coal touch the large coals. Place the last small coal on either side of the matrix. (See Fig.28)

Fig.28



7. Place a medium coal on the medium coal which does not already have a small coal on top of it. Ensure one corner of the medium coal rests against the large coal behind it. Lay the two remaining medium coals randomly on the matrix ensuring that no more than one corner of the coals touch any other coal. (See Fig. 29)

Fig.29



IMPORTANT: Leave an air space around each coal to allow easy flow of products of combustion, too much impingement of flame on coals will cause sooting.

LIGHTING

First Lighting-

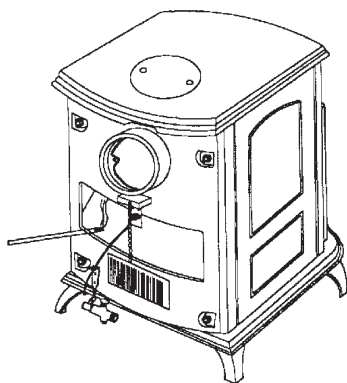
Purge air from the supply line as follows:

- a. Open main shut-off valve. Unscrew inlet pressure test point. Leave open inlet test screw until gas comes.
- b. When gas comes tighten inlet screw immediately.

WARNING: Do not purge the system near a naked flame or hot surface.

Press in the control knob all the way. Turn anti-clockwise until you hear a clicking sound. Keep control knob pressed for 15-30 seconds. Release control knob. If the pilot fails to light repeat this action.

Fig.30



WARNING: Do not operate the stove with the appliance door open, or if the glass panel in the front door has been broken or removed. Ensure the door latch is fully locked. Keep the door spin valve closed at all times when the stove is in operation.

During the first light up period an odour will rise from the stove, this is due to the materials in the stove drying and curing. It is advisable to open a window or door to give extra ventilation to the room until the odour has gone.

BURNER LIGHTING

- 1. With the pilot flame firmly established turn the control knob anti-clockwise to the high position. When the main burner is lighting adjust control knob clockwise to a lower setting if required.
- 2. If the pilot light is extinguished either intentionally or unintentionally no attempt should be made to light the gas until at least 4 mins. have elapsed.

SPILLAGE TEST

NOTE: It is essential that every flue system be inspected and tested by the installer upon completion, to ensure that the combustion products are completely discharged to the outside atmosphere.

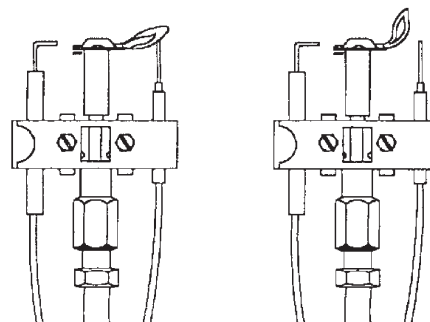
When the stove is installed carry out a spillage test (See Fig.30) as outlined in the following procedure:

- a. Operate stove for a minimum of 10 mins. at maximum setting.
- b. Run all other combustion appliances and/or extraction fan/s fitted in the room or adjacent rooms at full setting e.g. clothes dryers, furnaces etc.
- c. Close windows and external doors.
- d. With a smoke match, joss stick or smoke puffer run around 1" (25mm) from the edge of the down draught opening. (See Fig. 30).
- e. If all the smoke is pulled into the down draught opening, there is no spillage.

PILOT FLAME

NOTE: The pilot flame should be a steady blue flame which has contact with the upper 3/8" of the thermopile. (See Fig 31)

Fig.31 CORRECT FLAME INCORRECT FLAME



IMPORTANT: Please ensure that the pilot injector is clear at all times, as a partially blocked injector will result in a reduced flame which may be insufficient for ignition purposes.

MAINTENANCE

CAUTION: Maintenance of this stove should only be carried out by a qualified/competent Gas Engineer.

Isolate the main gas supply before carrying out any maintenance.

Removal of Burner

1. Shut off gas supply at the shut off valve.
2. Open door (item 9).
3. Carefully remove the coals.
4. Disconnect the 8mm gas pipe at the back of the control under the lip. (see Fig.32)

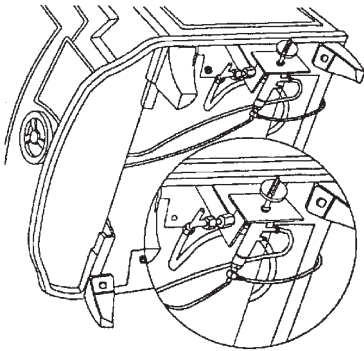


Fig.32

5. Disconnect the snap switch leads from the snap switch located at the back of the stove. (See Fig. 33).

Fig.33

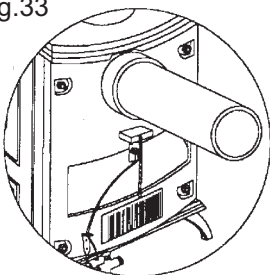
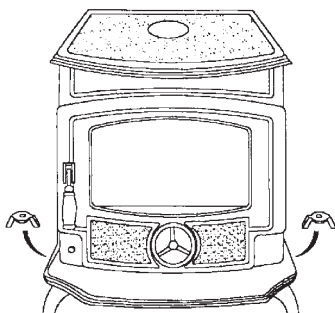


Fig.34



6. Under the two M6 wing nuts located on the under side of the stove on the right and on the left. (See Fig. 33).
7. Carefully lift up the burner assembly starting with the left side and gradually turning the assembly anti-clockwise until the left side of the assembly is facing towards the door opening. (See Fig.35, 36, 37).

Fig.35

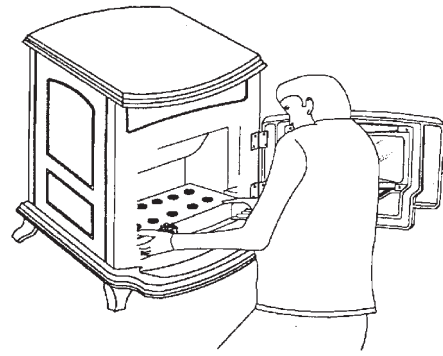


Fig.36

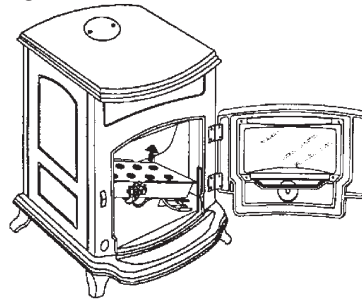


Fig.37

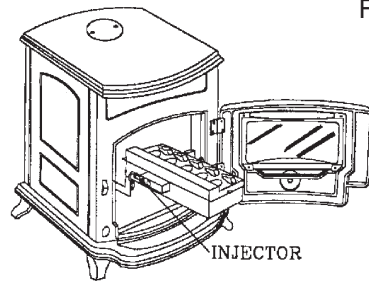
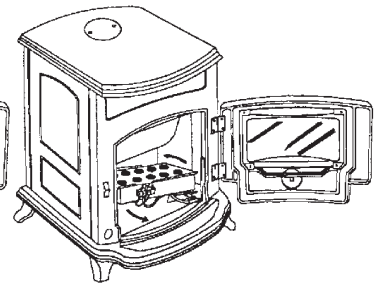
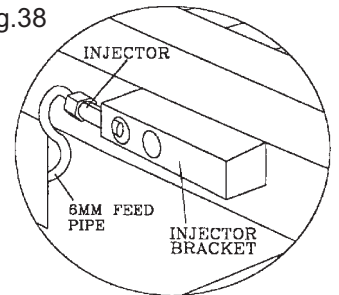


Fig.38



Changing of Burner Injector Orifice

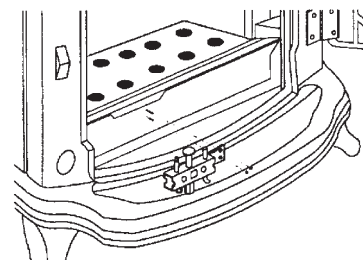
With the complete burner assembly removed as per Fig. 36, 37, 38.

1. Disconnect the 6mm gas feed pipe from the control to injector. (see Fig. 39).
2. Slacken the 6mm gas feed pipe to the injector at the control.
3. Remove Injector from burner.

Removal of Pilot Burner

1. Unscrew the two 1/4" slotted head screw from pilot burner. (See Fig.39)
2. Disconnect the 6mm gas feed pipe.

Fig.39

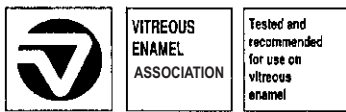


ENAMEL CLEANING

General cleaning must be carried out when the stove is cool.

If this stove is finished in a high gloss vitreous enamel, to keep the enamel in the best condition observe the following tips:

1. Wipe over daily with a soapy damp cloth, followed by a polish with a clean dry duster.
2. For stubborn deposits a soap impregnated pad can be carefully used on the vitreous enamel.
3. Use only products recommended by the Vitreous Enamel Association, these products carry the vitramel label.



4. **DO NOT USE ABRASIVE PADS OR OVEN CLEANSERS CONTAINING CITRIC ACID ON ENAMELLED SURFACES. ENSURE THAT THE CLEANSER MANUFACTURERS INSTRUCTIONS ARE ADHERED TO.**

TROUBLE SHOOTING GUIDE

| PROBLEM | POSSIBLE CAUSE | SOLUTION |
|--|---|--|
| Pilot will not light | No gas Safety interlock preventing Operation. Control knob not fully pressed. Disconnected piezo igniter. Air in gas lines Insufficient gas pressure. Damaged pilot hood. Blocked orifice. Defective control valve. Faulty piezo igniter | Check gas is turned on. Wait 5 minutes & attempt to relight. Ensure control knob is being fully pressed. Connect piezo cable. Call your qualified service technician. Call your qualified service technician. Call your qualified service technician. Call your qualified service technician. Call your qualified service technician. Call your qualified service technician. |
| Pilot lights but goes out when the control knob is released. | Insufficient flame impingement on thermocouple. Incorrect position of thermocouple. Weak milli volt current. Poor electrical contacts. | Call your qualified service technician. Call your qualified service technician. Call your qualified service technician. |
| Burners will not light. | Control knob may not be turned to correct position. Air in gas lines. Incorrect inlet pressure. Blocked orifice. Faulty control valve. | Turn control knob anti-clockwise to a heat output setting. Call your qualified service technician. Call your qualified service technician. Call your qualified service technician. Call your qualified service technician. |
| Heater operates normally then goes out within 10 minutes. | Blocked flue. Insufficient draught leading to the switch activating. Defective vent safety switch. | Clear blockage. Call your qualified service technician. Call your qualified service technician. |
| Noise in pilot/burners | Excessive gas pressure. | Call your qualified service technician. |
| Draught hood spillage. | Chimney or venting system not high enough. Chimney or venting system blocked Leaks in chimney or venting system joints. Insufficient air supply when other air using appliances are in operation. | Increase height. Clear blockage. Seal joints. Call your qualified service technician. |
| Flame characteristics: Hard sharp flame Yellow flame | Excessive primary air. Insufficient primary air supply. Over sized burner orifice. | Reduce air intake. Increase air intake. Call your qualified service technician. |
| Lifting flame Small sharp flame | Excessive gas pressure. Clogged burner orifice. Semi clogged gas supply line. Excessively low gas pressure. | Call your qualified service technician. Call your qualified service technician. Call your qualified service technician. Call your qualified service technician. |

INSTALLATION CHECKLIST

Tick ✓

Flue System

1. The Flue Height should not less than 3 metres and no more than 11 metres.
2. If connecting to an existing chimney, the appliance should be connected to a 125mm (5") diameter continuous, rigid or flexible flue pipe that terminates above the main ridge of the roof or adjacent outside obstructions.
3. If using an external flue, the appliance should be connected to a 125mm (5") diameter rigid insulated flue pipe that terminates above the main ridge of the roof or adjacent outside obstructions.
4. Any horizontal flue sections should not exceed 300mm (12")
5. The chimney serving this appliance should not serve any other appliance.
6. A suitable flue terminal should be fitted at the flue termination point.
7. If using an internal flue or chimney, closure-clamping plates should be used to seal the top & bottom of the chimney.
8. Access should be provided to the chimney serving the appliance to allow for cleaning.
9. If the flue passes through a combustible wall, a twin wall insulated connector must be used and come flush to the external surface of the wall.
10. The flue should be capable of producing a continuous draught of between 0.06 w.g. during normal operation.

Location

1. Clearance to combustible materials must be adhered to as described in the Clearance to Combustibles section.
2. The stove should be installed as to allow adequate air circulation around the stove and to allow access for installation & servicing.
3. The stove must be installed on a floor protector that covers the area under the stove and extends 12" from the front, 6" from the side and 2" from the back of the stove.

Ventilation & Combustion Air Requirements

1. The room in which the appliance is located should have an air vent of adequate size to support correct combustion (see Ventilation & Combustion Air Requirement Section for specific details).

Gas Supply

1. A 10mm rigid gas supply pipe must be used to connect directly from the gas meter to the stove. In the event of a number of appliances using the same supply pipe, the pipe size may need to be increased.
2. A shut off valve must be used to connect the gas supply as close as possible to the stove and should be accessible at all times.
3. A soundness test must be conducted to check all joints for gas tightness.

Manufactured by
Waterford Stanley Ltd.,
Unit 210, IDA Industrial Estate, Cork Road,
Waterford, Ireland.
Tel: (051) 302300 Fax (051) 302315

