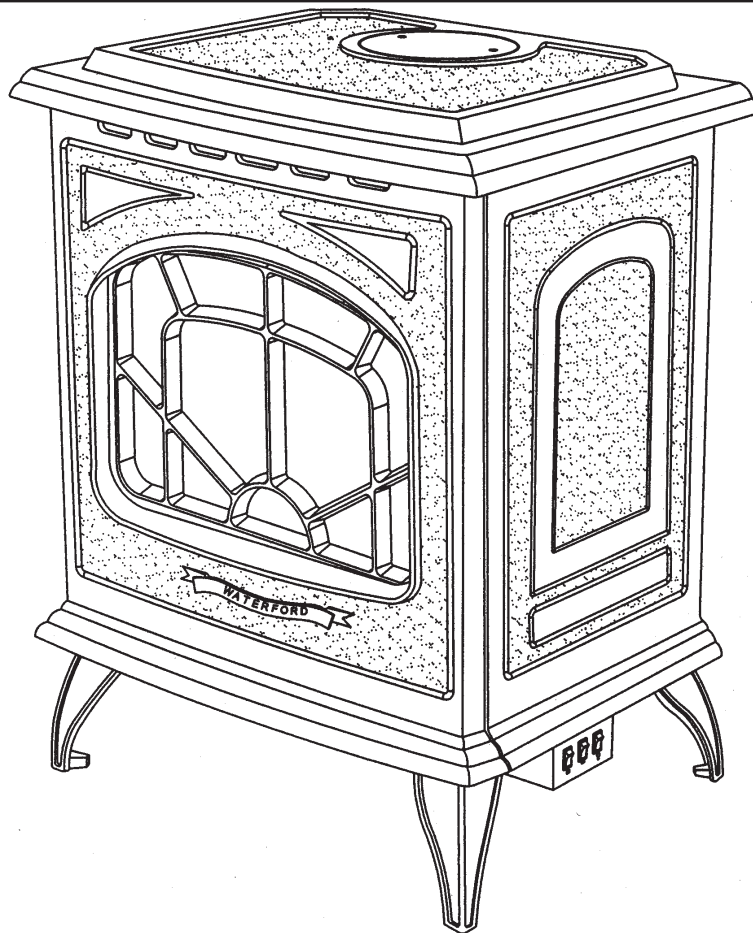

STANLEY

TURNING YOUR HOUSE INTO A HOME

TARA ELECTRIC STOVE

Focal Point Electric Stove with Log effects incorporating a 1.2kW
Fan Heater.



INSTALLATION & OPERATING INSTRUCTIONS

The complete installation must be done in accordance with current Standards and Local Codes. It should be noted that the requirements and this publication may be superseded during the life of the stove.

TABLE OF CONTENTS

	PAGE NO.
1. Introduction	2
2. Installation Instructions	2
3. Important Safety Advice	3
4. Technical Data	4
5. Stove Specifications	4
6. Operation	5
7. Flame Effect	5
8. Heating Unit.	5
9. Low Heat Setting	5
10. High Heat Setting	5
11. Thermal Safety Cut-Out	5
12. Maintenance	5
13. Lamp Replacement	5
14. Model Tara Log Effect	6
15. Cleaning	6
16. After Sales Service	6

INTRODUCTION

These stoves incorporate a flame effect which can be used without heating, so that the comforting effect may be enjoyed at any time of the year.

The flame effect is provided by low wattage motors and two 60 watt lamps. Using the flame effect on its own therefore requires little electricity.

The controls are located on the lower right hand side of the stove. A choice of 0.6 kW or 1.2 kW heat output is provided by the heater, which is concealed beneath the unit.

The models are designed to be free standing and are normally positioned against a wall.

INSTALLATION INSTRUCTIONS

Ensure that all packing items are removed (read any warning labels carefully, located at the rear of the unit). Retain all packing until installation is complete. Position the fire at the point of use making sure there is adequate air flow around the unit.

IMPORTANT INSTRUCTIONS

PLEASE RETAIN THIS USER'S GUIDE FOR FUTURE REFERENCE

When using electrical appliances, basic precautions should always be followed to reduce the risk of fire, electric shock and injury to persons, including the following:

1. Read all instructions before using this stove.
2. This stove is hot when in use. To avoid burns, do not let bare skin touch hot surfaces. The grill at the bottom of the stove becomes hot during heater operation. Keep combustible materials, such as furniture, pillows, bedding, papers, clothes and curtains at least 3 feet (.9m) from the front of the unit.
3. Extreme caution is necessary when any heater is used by or near children or invalids and whenever the stove is left operating and unattended.
4. Always unplug the stove when not in use.
5. Do not operate this stove with a damaged cord or plug, or if the heater has malfunctioned, or if the stove has been dropped or damaged in any manner. Return the stove to an authorised service facility for examination, electrical or mechanical adjustment or repair.
6. Do not use outdoors.
7. This stove is not intended for use in bathrooms, laundry areas and similar indoor locations. Never locate this stove where it may fall into a bathtub or other water container.
8. Do not install the stove on a surface which may restrict air circulation beneath the unit.
9. Do not run cord under carpeting. Do not cover cord with throw rugs., runners or the like. Arrange cord away from traffic area and where it will not be tripped over.
10. To disconnect the stove turn controls to off, then remove plug from outlet.
11. Do not insert or allow foreign objects to enter any ventilation or exhaust opening as this may cause an electric shock or fire or damage the heater.
12. To prevent a possible fire, do not block air intake or exhaust in any manner. Do not use on soft surfaces, like a carpet , where openings may become blocked.
13. All electrical heaters have hot and arcing or sparking parts inside. Do not use it in areas where gasoline, paint, or flammable liquids are used or stored or where the unit will be exposed to flammable vapours.
14. Do not modify this stove. Use it only as described in this manual. Any other use not recommended by the manufacturer may cause fire, electric shock or injury to persons.
15. Avoid the use of an extension cord because the extension cord may overheat and cause a risk of fire. However, if you have to use an extension cord, the cord shall be No. 16 AWG minimum size and rated not less than 1300 watts.
16. Do not burn wood or other materials in this stove.
17. Do not strike the stove glass.
18. Always use a certified electrician should new circuits or outlets be required.
19. Always use properly grounded, fused and polarised outlets.
20. Always use ground fault protection where required by electrical code.
21. Always disconnect power before performing any cleaning, maintenance or relocation of the stove.
22. When transporting or storing the stove and cord, keep in a dry place, free from excessive vibration and store so as to avoid damage.

NOTE: Procedures and techniques that are considered important enough to emphasise.

CAUTION: Procedures and techniques which, if not carefully followed, will result in damage to the equipment.

WARNING: Procedures and techniques which, if not carefully followed, will expose the user to the risk of serious injury, illness or death.

“Save these Instructions”

TECHNICAL DATA

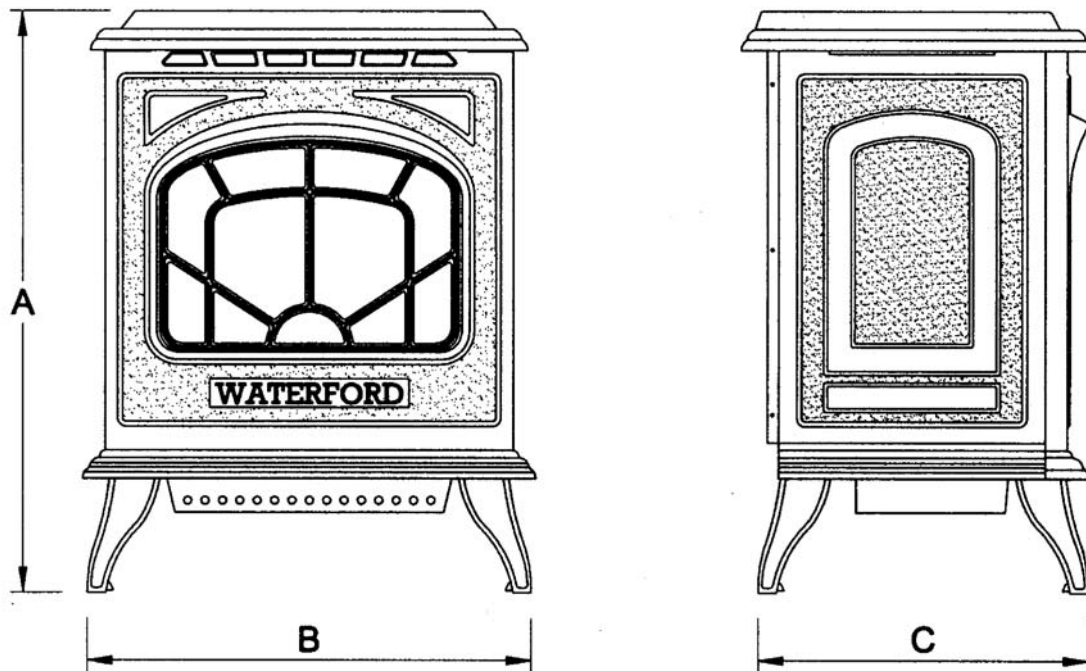
RATED VOLTAGE: 120 V 60Hz Ac
RATED CURRENT: 11 AMPS
LAMP RATING: Two 120V, 60 Watt Clear Candle

OUTPUT: Low Heat 0.6 kW
High Heat 1.2 kW

FAN MOTORS: 1 x 6.5w / 1 x 2.5w

SERIES: A

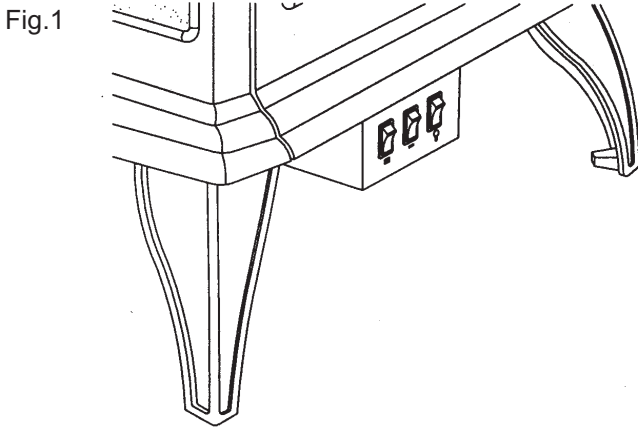
TARA ELECTRIC STOVE SPECIFICATIONS



A	-	705mm = 27 ³ / ₄ inch
B	-	546mm = 21 ¹ / ₂ inch
C	-	425mm = 16 ³ / ₄ inch

OPERATION

The controls are located on the lower right hand side of the stove. See Fig. 1.



A switch is in the 'ON' position when the red indicator mark of the switch is visible. Connect the fire to your electricity supply.

FLAME EFFECT

Press the third switch to the "on" position. The flame effect will now operate.

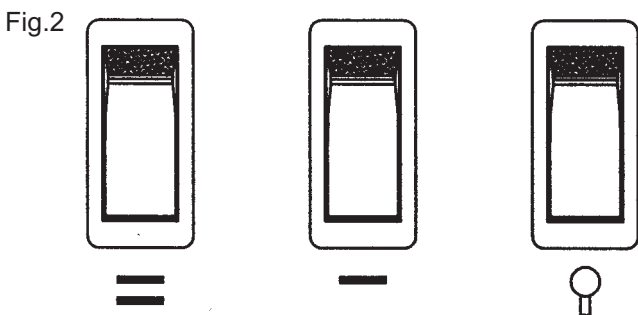
HEATING UNIT

You have a choice of (0.6 kW) output or (1.2 kW) output by simply switching the controls as follows:

LOW HEAT SETTING: Press the second switch marked - to the "on" position.

HIGH HEAT SETTING: Press the first switch marked = to the "on" position. The second switch marked - must also be "on".

*In order to operate the heating the flame effect switch must be operating. (See Fig.2)



THERMAL SAFETY CUT-OUT

A thermal safety cut-out is incorporated in the heater to prevent damage due to overheating.

This can happen if the heat outlet was restricted in any way.

The manual reset thermal cut-out will switch off

the heater if; for any reason; it overheats. Should the cut-out operate, determine the reason for the overheating before resetting the cut-out. To reset the cut-out, switch off or unplug the heater for a few minutes, after which normal operation may be resumed.

MAINTENANCE

WARNING: ALWAYS DISCONNECT FROM THE POWER SUPPLY BEFORE ATTEMPTING ANY MAINTENANCE.

LAMP REPLACEMENT

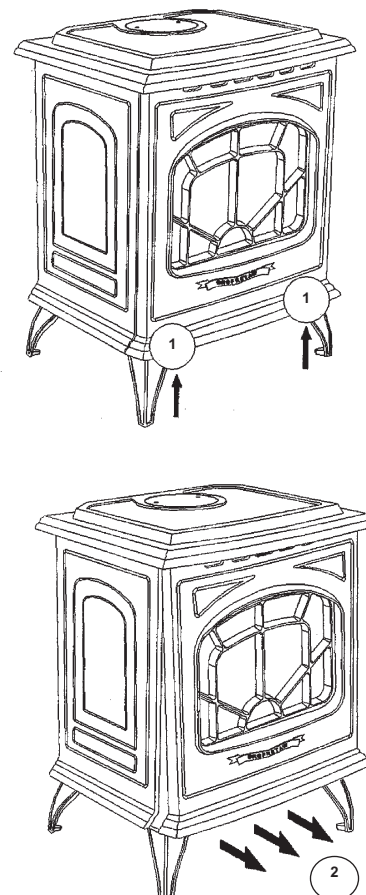
To gain access to the lamps, carefully remove the firebox door. See Fig. 3.

Allow at least 10 minutes for light bulbs to cool off before touching bulbs to avoid accidental burning of skin.

To remove firebox door:

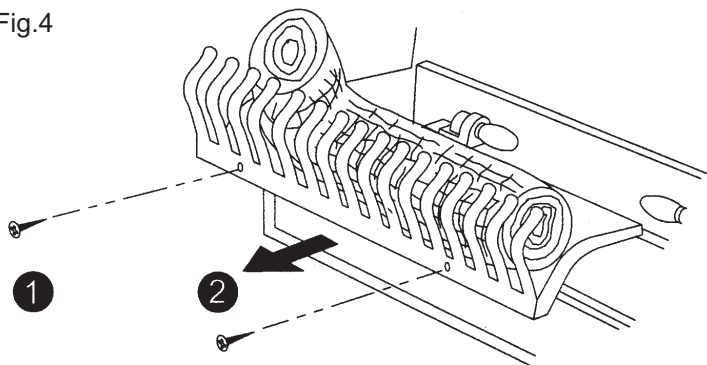
1. Hold the cast iron front panel at the bottom and lift upwards and out from the stove. Once free of the locating tabs, the panel can be dropped down; freeing it from the top of the stove.
2. Place the cast iron front panel on a non-abrasive surface, away from any traffic to ensure that it does not get damaged.

Fig.3



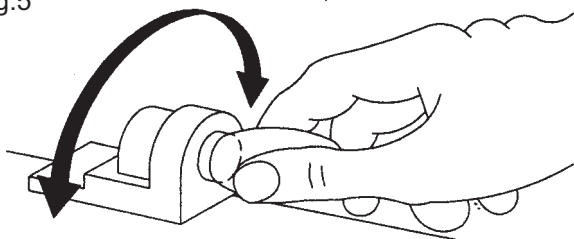
MODEL TARA LOG EFFECT: Remove the two screws securing the fuel effect assembly. Slide out the fuel effect assembly. See Fig. 4.

Fig.4



Carefully rotate the lamp anti-clockwise until it comes out of its holder. See Fig.5

Fig.5



Replace the defective lamp with a 120V, 60 watt clear candle lamp, rotating the lamp clockwise in the holder until it is fully home. Do not overtighten.

IMPORTANT: DO NOT USE A HIGHER VOLTAGE LAMP

MODEL TARA LOG EFFECT: Refit the fuel effect panel complete with fixing screws, ensuring that the rear edge locates under the glass viewing screen.

CLEANING

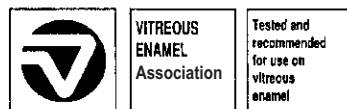
For general cleaning use a soft clean duster or , if necessary, a damp cloth - never use abrasive cleaners.

The fuel effect may be cleaned with a soft brush or vacuum cleaner. The glass viewing screen should be cleaned carefully with a chamois leather. Do not use proprietary glass cleaners.



If this stove is finished in a high gloss vitreous enamel, to keep the enamel in the best condition observe the following tips:

1. Wipe over daily with a soapy damp cloth, followed by a polish with a clean dry duster.
2. For stubborn deposits a soap impregnated pad can be carefully used on the vitreous enamel.
3. Use only products recommended by the Vitreous Enamel Association, these products carry the Vitramel label.



4. **DO NOT USE ABRASIVE PADS OR OVEN CLEANSERS CONTAINING CITRIC ACID ON ENAMELLED SURFACES. ENSURE THAT THE CLEANSER MANUFACTURERS INSTRUCTIONS ARE ADHERED TO.**

AFTER SALES SERVICE

Your product is guaranteed for one year from the date of purchase. We undertake to exchange or repair free of charge within this period, any part, with the exception of a lamp bulb, found to be defective due to a manufacturing fault.

All enquiries for service should be directed in the first instance to the retailer from whom your product was purchased.

Please do not initially return a faulty appliance or part of an appliance to us as this may result in transit damage and/or delay in providing service. Let us know your difficulty quoting the model number and series letter of the appliance. We will then take the appropriate action.

The product complies with the European Safety Standard EN60335-2-30 and the European Standard for Electromagnetic Compatibility (EMC) EN55014, EN60555-2 and EN60555-3 which cover the essential requirements of EEC Directives 73/23 and 89/336.



APPROVED FOR USE IN THE UNITED STATES AND CANADA

Manufactured by
Waterford Stanley Ltd.,
Unit 210, IDA Industrial Estate, Cork Road,
Waterford, Ireland.
Tel: (051) 302300 Fax (051) 302315

