

Fig.1

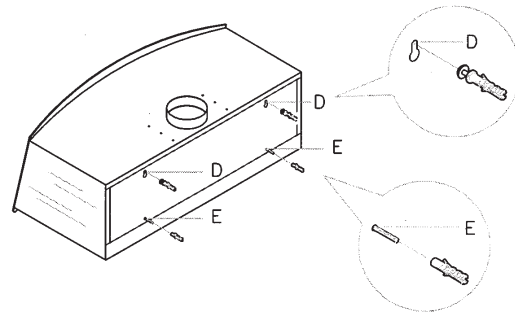


Fig.4

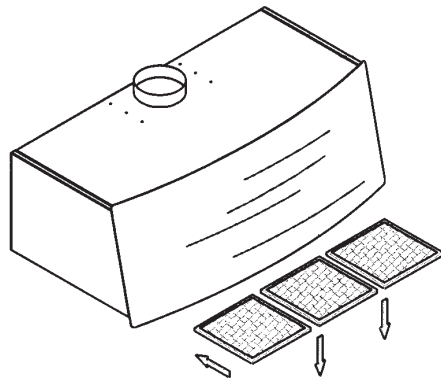


Fig.2

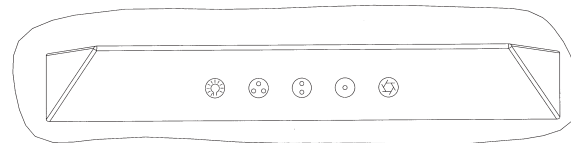


Fig.5

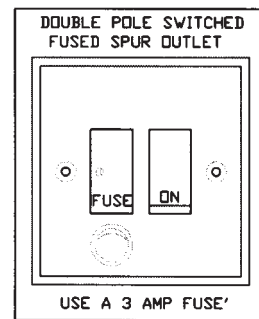


Fig.6

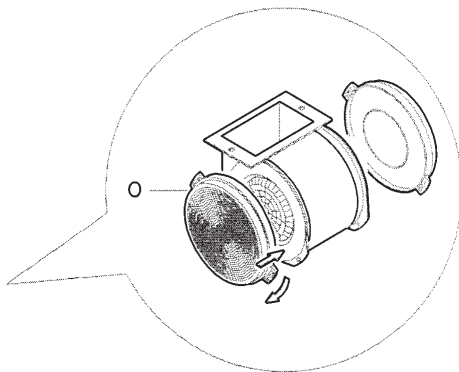


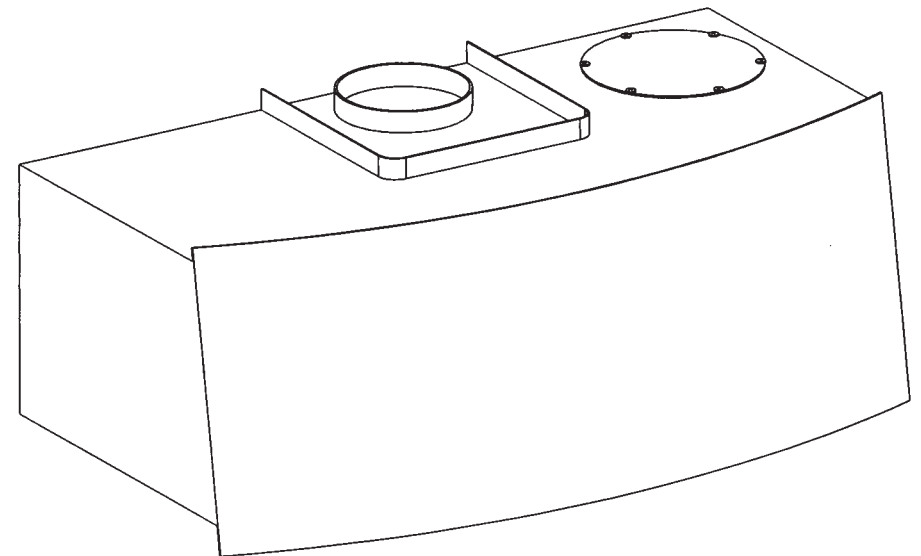
Fig.3



Waterford Stanley Ltd.,
 Bilberry, Waterford, Ireland.
 Tel: (051) 302300 Fax (051) 302375



Brandon Cooker Hood



These Instructions are to be left with end user

Installation & Operation Manual

INSTRUCTIONS FOR THE INSTALLATION, MAINTENANCE AND USE OF THE BRANDON COOKER HOOD

GENERAL

Before installing and/or using the hood, read all the instructions carefully. Before installing the hood, make sure that the voltage (V) and the frequency (Hz) indicated on the identification plate and all the data inside the appliance are exactly the same as the voltage and frequency to be found in the place of installation.

IDENTIFICATION PLATE AND TECHNICAL DATA PLATE

The identification plate and technical data plate are inside the appliance.

INSTALLATION

All the accessories needed for installing the hood are inside the unit. Connect the opening N (diameter 150mm) (Fig.1) to an extraction pipe connected directly to the outside, with a minimum section of 200 cm². The bottom of the hood must be at least 70 cm above the hob.

IN NO CASE MUST THE HOOD BE CONNECTED TO DISCHARGE FLUES FOR OTHER NON-ELECTRIC APPLIANCES (hot water boilers, heaters, stoves etc.)

ELECTRICAL CONNECTION

The hood is intended for fixed and permanent installation. For the line voltage and frequency, see the data plate inside the appliance. The power cable (type H05VV-F 2x0.75mm²) connected to the terminals marked L (line) and N (neutral) of the hood and fixed with the cable clamp, must be connected to a suitable, accessible fixed power point by skilled and authorised personnel who must carry out installation in compliance with the standards and laws in force, fitting, upstream from the electric connection, a double pole switch with a contact opening distance of at least 3 mm.

THIS APPLIANCE DOES NOT REQUIRE AN EARTH. This appliance must be connected by competent person, using fixed wiring via a **DOUBLE POLE SWITCHED FUSED SPUR OUTLET.**

We recommend that the appliance is connected by a qualified electrician who will comply with the local regulations. The wires in the mains lead are coloured in accordance with the following code: Blue = Neutral, Brown = Live. As the colours of the wires in the mains lead for the appliance, may not correspond with the coloured markings identifying the terminals in your spur box, proceed as follows:
1) The wire which is coloured blue must be connect

ed to the terminal marked N (Neutral), or coloured Black. 2) The wire which is coloured brown must be connected to the terminal marked L (live), or coloured Red (Fig.6).






INSTRUCTIONS FOR ASSEMBLY

Fit the union N to the upper part of the hood using the two screws supplied in a packet inside the packing (Fig.1). Using a 150mm diameter pipe connect the union N on the upper part of the hood (fig.1) to the discharge outlet for cooking vapours with a cross-section of at least 200 cm². If there is no discharge outlet and the hood is to be fitted to an outside wall of the building, make a hole in the wall that is large enough to fit a wind and rain-proof shutter with a cross section of at least 200 cm² and connect this to the outlet union of the unit by means of a pipe.

The hood is intended for fitting on the wall. Position the hood 70cm above the hob. Remove the metal anti-grease filters (Fig.2). Position the hood against the wall and mark on the wall the position of the support holes D and the anchoring holes E (Fig.4). Using a drill bit with a diameter of 6mm., make holes in the wall on the reference marks made previously. Insert the expansion fixings in the holes and then screw the support screws half-way in. Hook the hood onto the screws and fasten it onto the wall, tightening the support and anchoring screws. Connect the discharge pipe to the coupling N (Fig.1). Replace the metal anti-grease filters.

CONTROL PANEL

The control panel (Fig.5) is situated on the underside of the hood and comprises of 5 push button switches with the following functions:

-  Fan ON/OFF switch
-  Low fan speed
-  Medium fan speed
-  High fan speed
-  Light ON/OFF switch

MAINTENANCE

Before performing any operation, always ensure that the double pole switch is turned to 0 (OFF).

a) Cleaning

“NOTE: the areas behind the filters are not intended to be cleaned”

Clean the external parts with non-corrosive liquid

detergents, avoiding the use of abrasive powders or of brushes.

b) Cleaning the metal anti-grease filter

The saturation of greasy residue in the metal filter may cause increased inflammability. In order to prevent possible fires, the metal filter must be washed regularly depending on use and at least every three months in a dishwasher or in hot water with normal washing-up detergent. After having carefully rinsed and dried the metal anti-grease filter, put it back in place.

c) Changing the light bulb

Before changing the light bulb, ensure that the appliance is not live (the switch should be in position 0 - OFF). Remove the metal anti-grease filters (Fig.3). Change the halogen light using a 230V halogen light, with an E14 coupling, max. 50W. Replace the metal anti-grease filters.

IMPORTANT

Cleaning must always be carried out according to the manufacturer's instructions, especially as regards the deposits on dirty surfaces which may be a possible fire hazard. Always take care that the flames or elements are covered so as not to cause overheating of the filter in the hood. Never leave pans unattended when frying; the oil in the pan may overheat and catch fire. The risk of self-combustion is higher when the oil has been used several times. It is absolutely forbidden to cook with an open flame under the hood. The ducted air must not

be conveyed into a flue used for discharging the fumes produced by non-electric appliances ; If the non-recycling version of the hood is used, check the conditions of the flue if it has remained unused for a long time. Remember to pay the greatest attention to the local regulations in force and the requirements of the competent authorities concerning air discharge if the appliance is operating as an extraction hood. All the advice given here must be scrupulously abided by so as to avoid the risk of fire.

VENTILATION

If there is an appliance fitted in the vicinity which requires air for combustion, additional air vents will be required to alleviate the possibility of spillage of products of combustion, from the appliance/flue while the fan is in operation. Refer to B.S. 5440 Part 2 & I.S. 813.

Where such an installation exists a test for spillage should be carried out with all appliances requiring air for combustion and all extraction fans running at maximum rate, (i.e. tumble dryers, extraction fans) with all external windows and doors closed.

If spillage occurs following the above operation, an additional air vent of sufficient size to prevent this occurrence should be installed.

THE MANUFACTURER DECLINES ALL RESPONSIBILITY IN THE EVENT OF FAILURE TO OBSERVE THE INSTRUCTIONS GIVEN HERE FOR INSTALLATION, MAINTENANCE AND SUITABLE USE OF THE HOOD.

WARRANTY

We undertake to repair or replace, free of charge to you any part found to be faulty within the 12 month period from the date of purchase provided that:-

- * The fault is, in our opinion, caused by defective workmanship, or material and not by accident, misuse, neglect or normal wear and tear.
- * Any manufacturing defect is reported to the stockist from whom you bought the appliance within 12 months of the date of purchase.
- * The Stanley appliance is installed to the Manufacturer's recommendations and by a suitably qualified person.
- * The guarantee registration form is completed fully and returned to us within 30 days of the purchase date.

IMPORTANT NOTICE: Any alteration to this appliance that is not approved in writing by Waterford Stanley will render the guarantee void.